

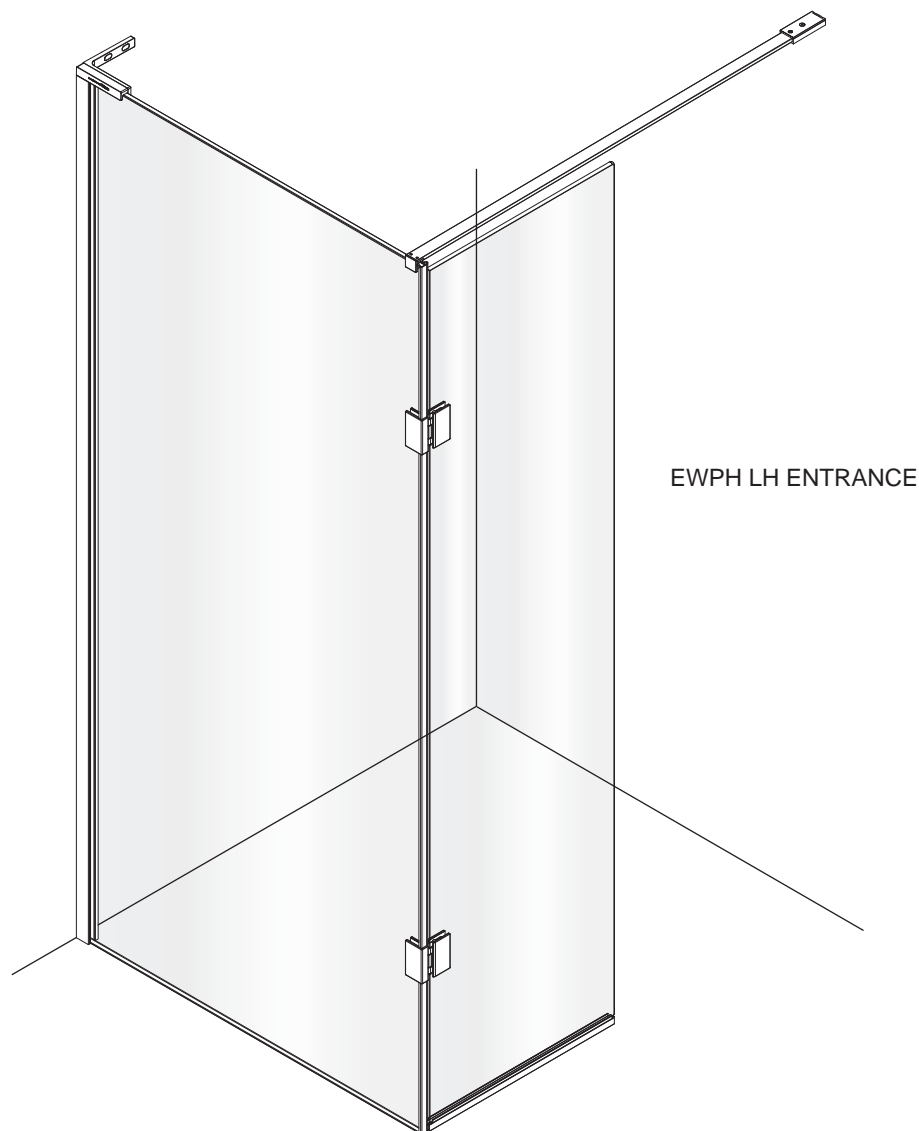
matki | S H O W E R I N G

EAUZONE PLUS EWPH - WETROOM PANEL WITH HINGE PANEL

INSTALLATION

PARTS LIST

THE STAGES IN THIS
INSTALLATION BOOKLET SHOW
AN EWPH LH CORNER
INSTALLATION, REVERSE FOR RH.

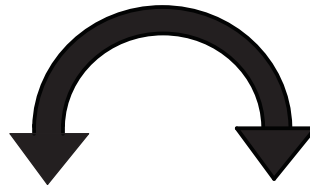


MATKI PLC, CHURCHWARD ROAD, YATE, BRISTOL, BS37 5PL
TELEPHONE:01454 328816 (AFTER SALES) FAX:01454 328821 EMAIL: techsupport@matki.co.uk

0966 AF 01/14

HANDING

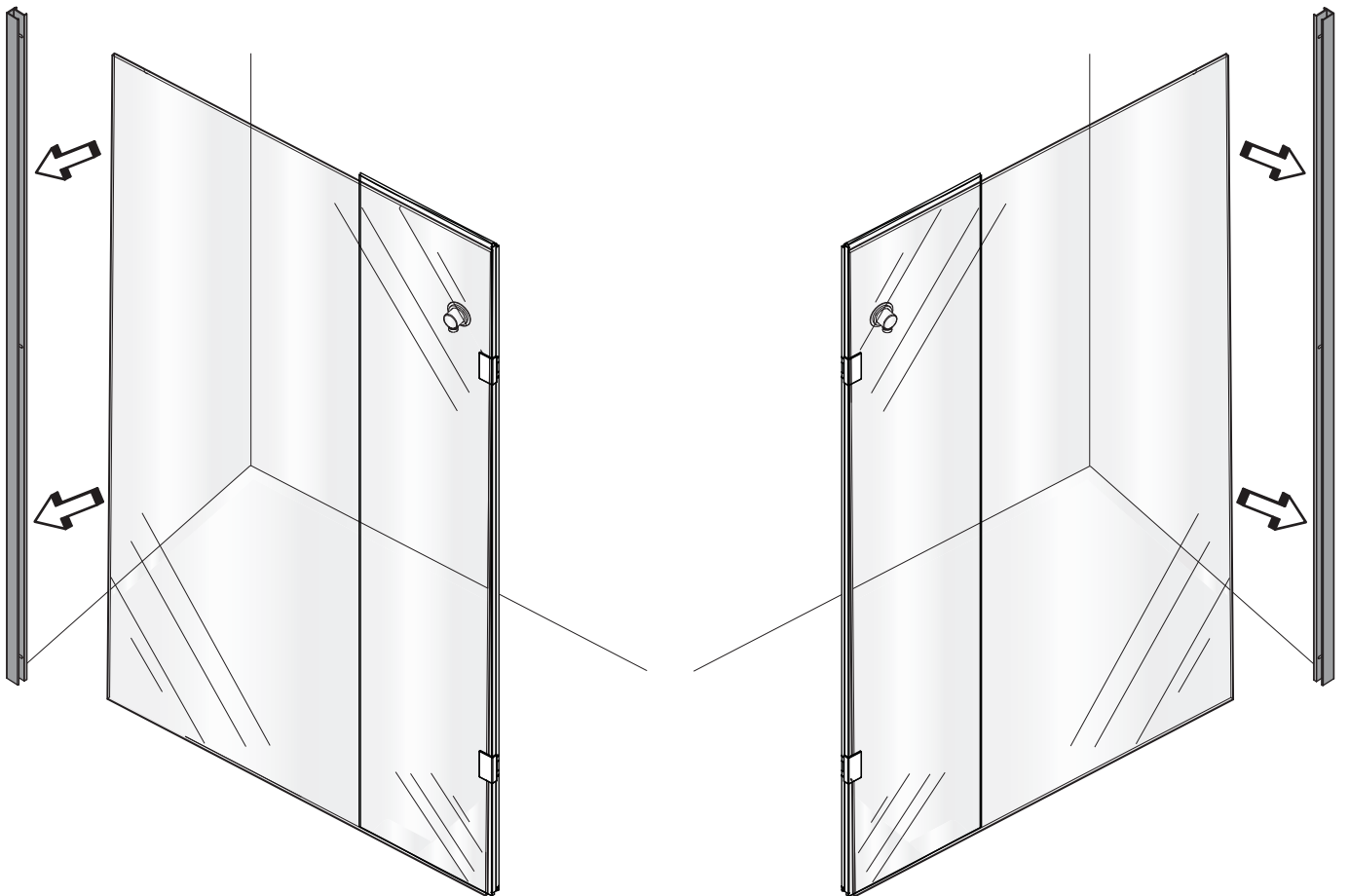
THE WETROOM PANEL IS UNHANDED



EWPH LH

EWPH RH

TURN PANEL 180 ° TO
CHANGE HANDING



THE STAGES IN THIS INSTALLATION BOOKLET SHOW AN EWPH LH CORNER INSTALLATION, REVERSE FOR RH.

IMPORTANT

TOOLS REQUIRED

Masonry Drill bit 6mm, Tape Measure, Screw Drivers, Safety Glasses, Electric Drill, Level, Pencil, Adjustable Spanners, Non Slip Gloves

Before disposing of carton and/or commencing assembly, please check all the parts to ascertain that none are missing and they are all undamaged. No claim for missing/damaged parts will be accepted once the packing carton has been disposed of and/or assembly has commenced. In case of query contact your Stockist with details of model number and details of serial number.

PREPARATION IMPORTANT

1. Please read complete installation instructions before fitting the enclosure and tray (if fitting).
2. We recommend that two people are available for fitting of Wetroom Panel, Stage 2. The **Eauzone Plus** range is **10mm Glass** construction. Large glass panels are very heavy. We recommend the use of safety glasses and non slip gloves when handling the glass panels.
3. Ensure that the product can be **fixed** to a **solid masonry wall** or suitable **timber stud work grade C16/C24** in the area behind the wall frames and panel fixing brackets.
4. Shower trays or tiled floors **must be absolutely level** where they are fitted
5. We recommend a **drainage test** is carried out before the tray is tiled in position.
6. The assembly should be installed onto a waterproof wall covering and installed after the tray and wall coverings are in place. Trays with tiling lips should be let into the wall with the tiling lip flush with the wall to allow the tiling to overlap the tiling lip.
7. Seal between tray and tiles. Remove any excess sealant from the area/joint between the tray and the tiles where the wall mount is to be fitted. This will ensure the wall mount fits correctly to the wall and tray/or tiled floor.

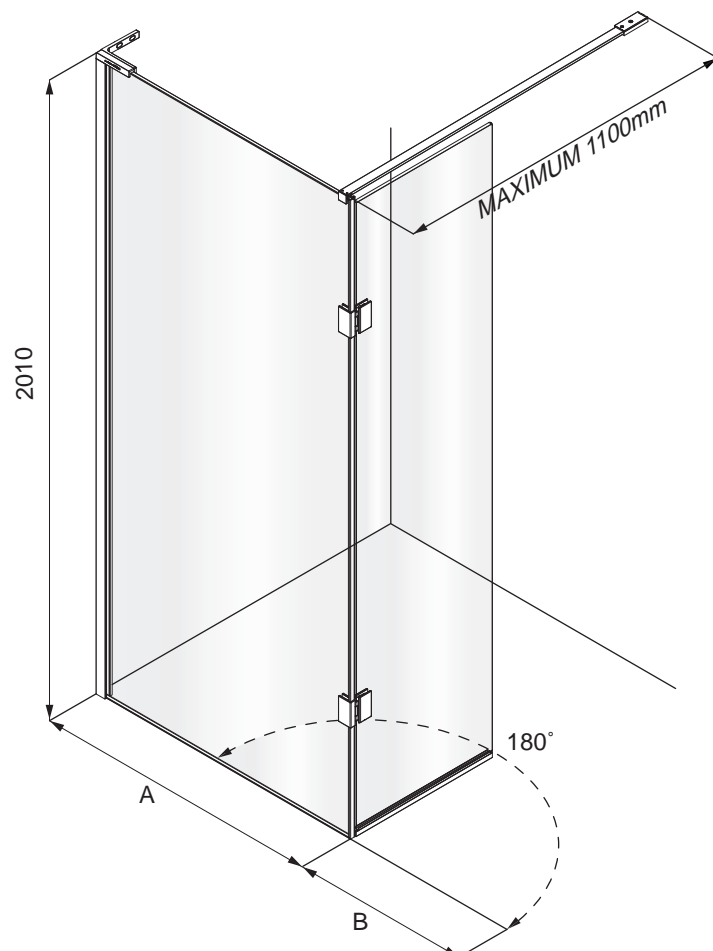
CAUTION: TEMPERED GLASS CANNOT BE CUT, POLISHED METAL AND CHROME CAN BE SCRATCHED. CAREFULLY REMOVE ASSEMBLY FROM CARTON, DO NOT PLACE GLASS ON HARD FLOOR OR EXPOSE EDGES TO IMPACT.

DIMENSIONS

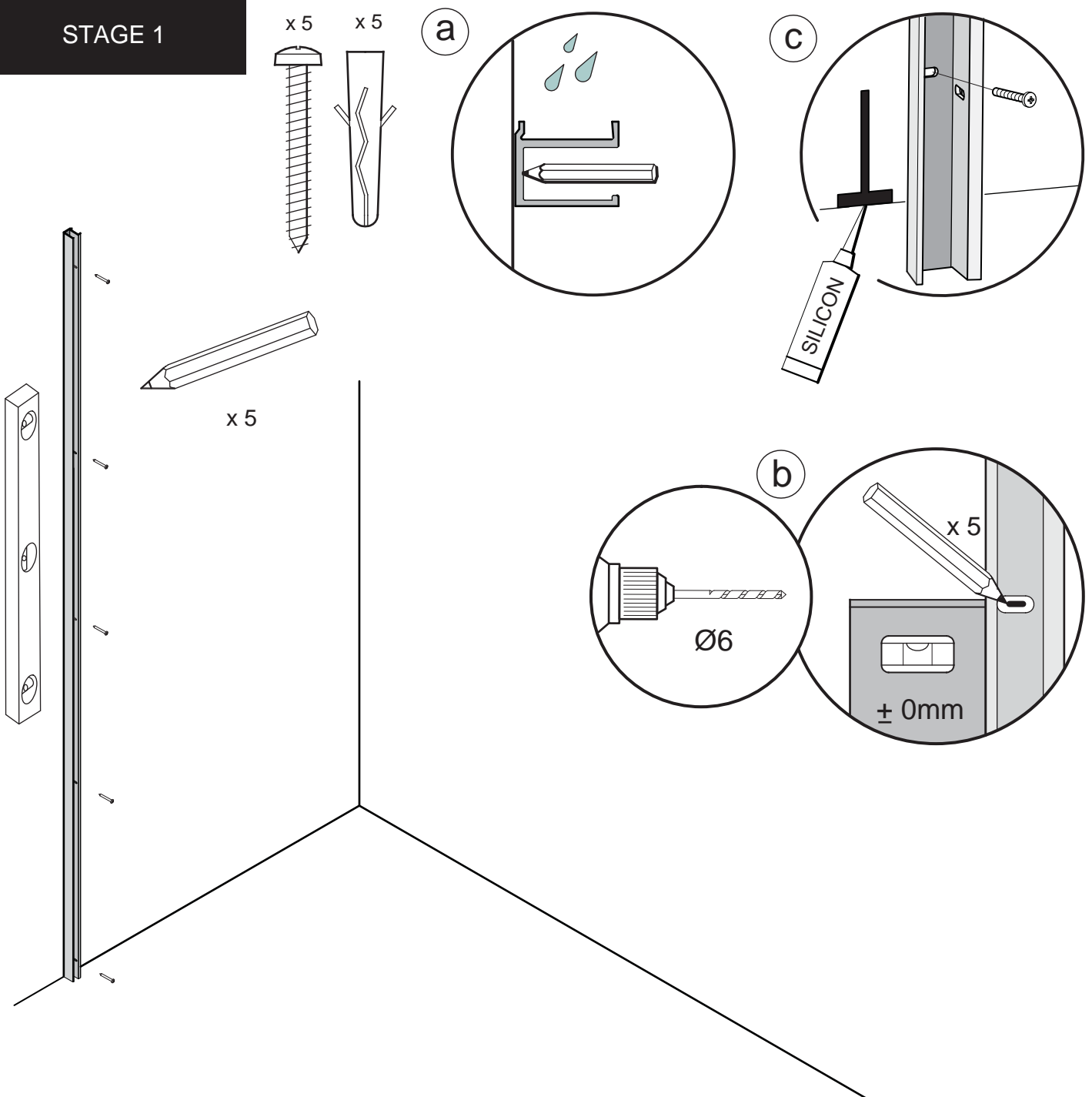
EAUZONE PLUS WET ROOM PANEL

MODEL	A	B
EWPH 1200	695-710	440
EWPH 1500	915-930	490
EWPH 1700	1065-1080	490

Dimensions are approximate



STAGE 1

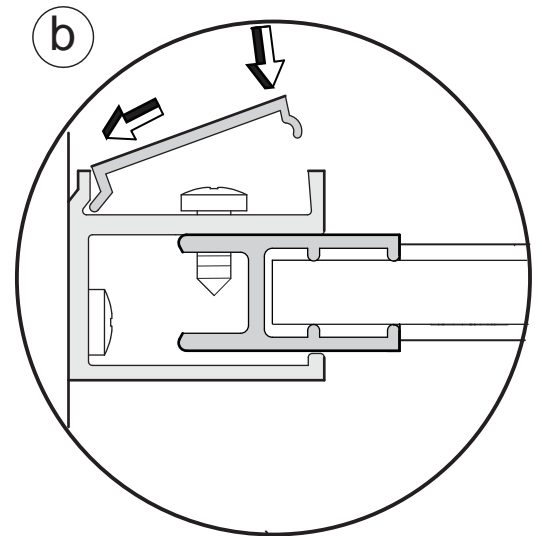
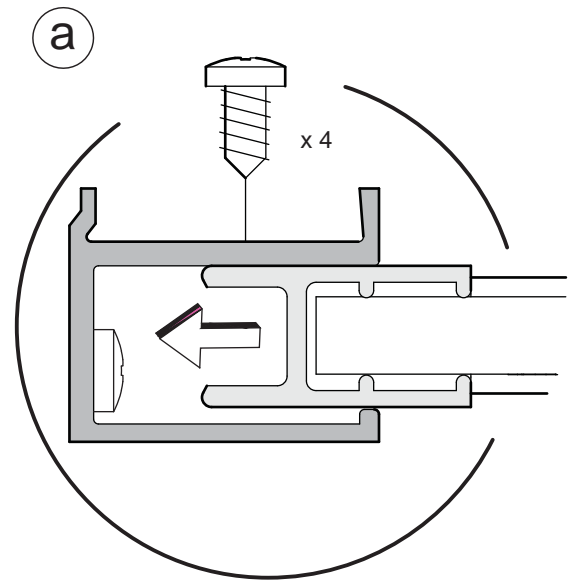
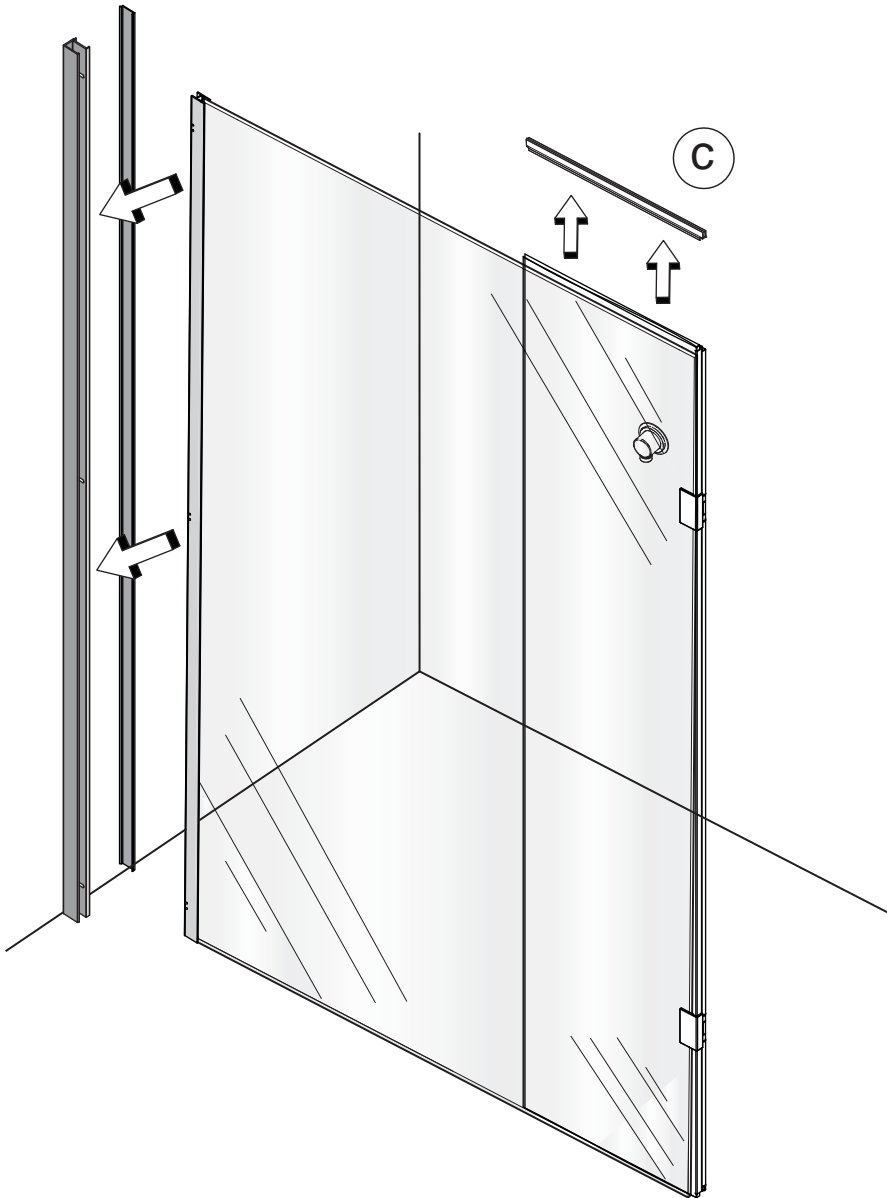


This stage is describing the fitting of the wall mount.

The wall mount is supplied assembled to the panel. Carefully remove the inside cover and wall mount adjustment screws and wall mount. Store the adjustments screws in a safe place for re assembly in Stage 2.

- Position the wall mount so that the adjustment slots on the side of the wall mount are facing inside the product.
- Plumb the wall mount for upright and mark the fixing holes in the centre of the slots. Drill 5 x fixing holes in the wall and insert the wall plugs.
- Clean the area and apply silicon sealant to the area behind the wall mount between the tray/tilled surface and 100mm up the wall, central to the width of the wall mount. Secure the wall mount using the No.8 x 32mm pan head screws, plumb the wall mount for upright do not over tighten the screws to allow for adjustment.

STAGE 2



IMPORTANT: The Wetroom panel is very heavy, we recommend two people are available for fitting the panel.

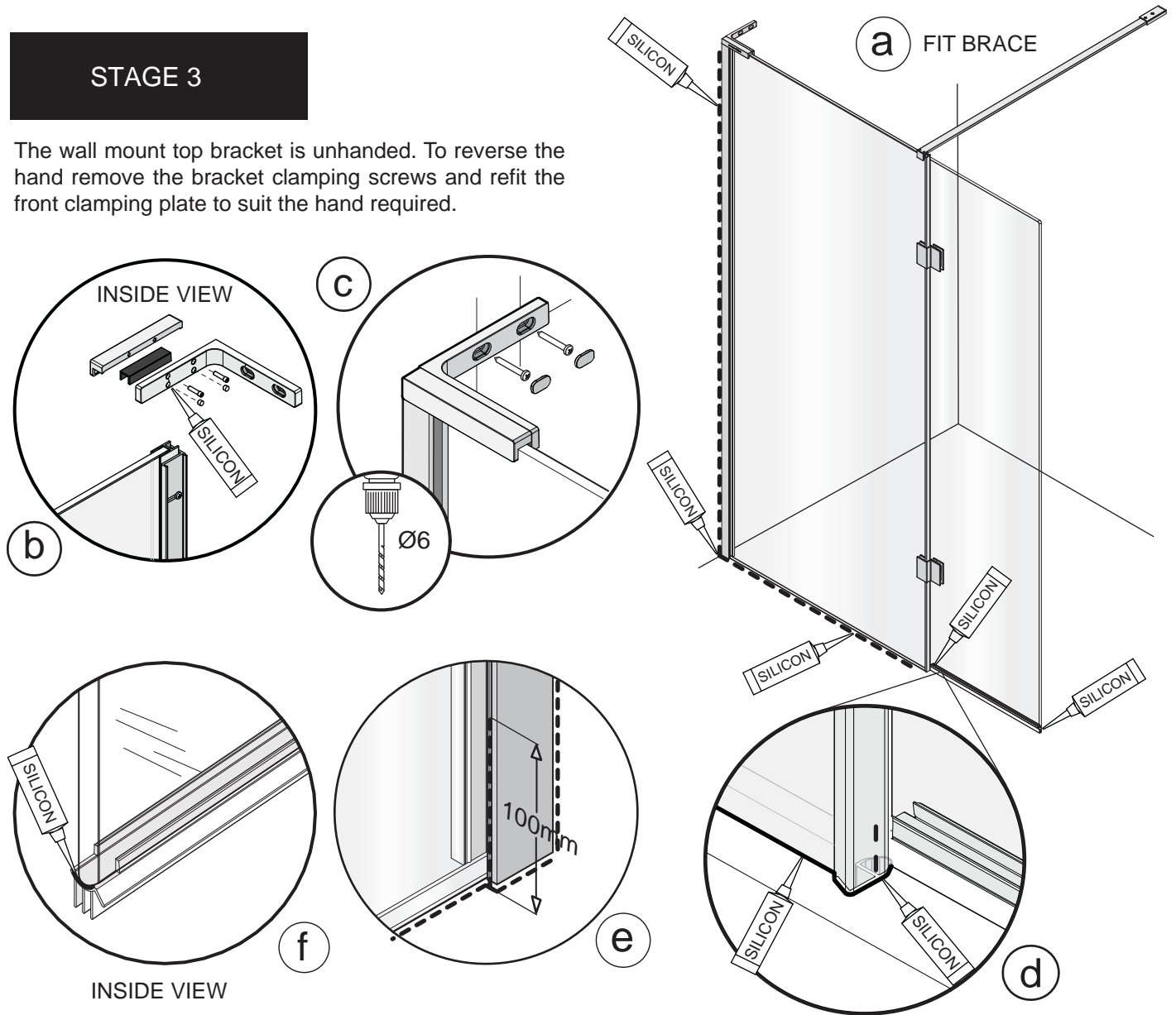
This stage is describing the fitting of the hinge panel, horizontal seal and adjustment.

IMPORTANT: There is no adjustment in the Wetroom panel hinges.

- a. Fit the wetroom panel to the wall mount and secure with the No.8 x 9.5 pan head adjustment screws.
- b. When adjustment is complete fit the wall mount cover to the inside of the wall mount.
- c. Remove the hinge panel horizontal seal that is not required from the top edge of the hinge panel.

STAGE 3

The wall mount top bracket is unhandred. To reverse the hand remove the bracket clamping screws and refit the front clamping plate to suit the hand required.



This stage is describing the fitting of the wall mount top bracket and application of silicon sealant.

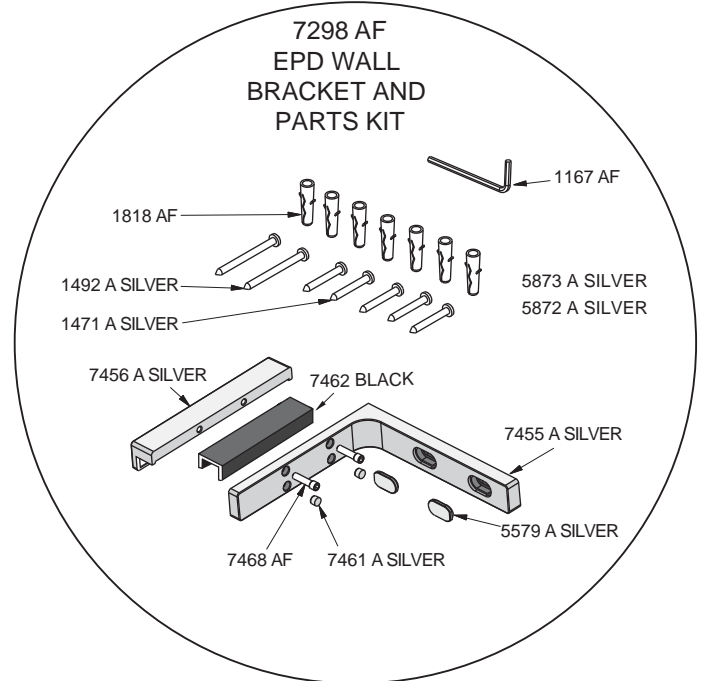
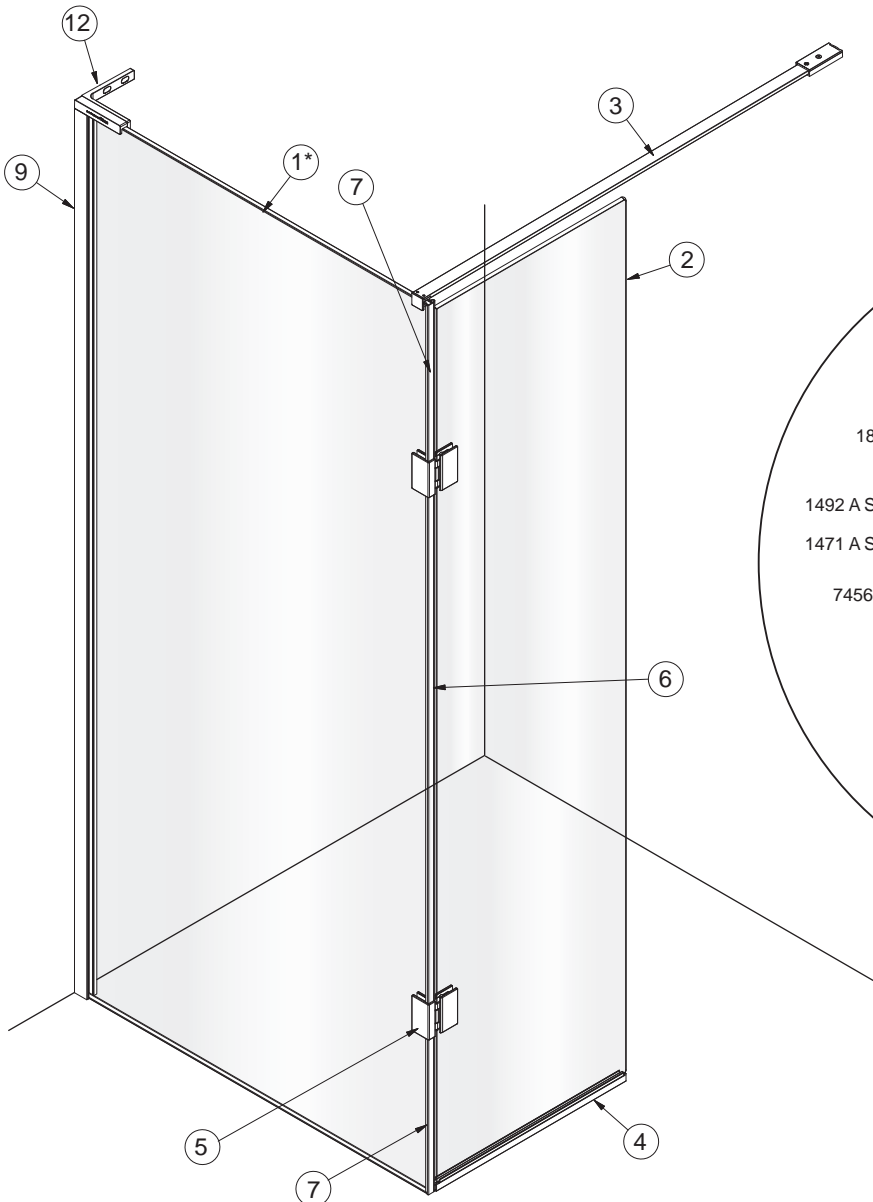
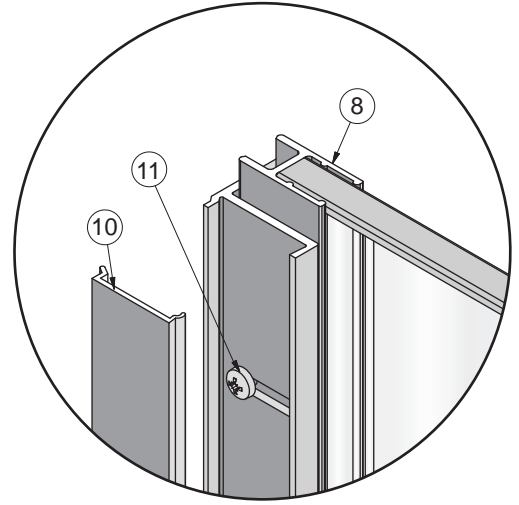
- a. Fit the wall brace, installation instructions included with brace.
- b. Fit the rubber ' U ' shaped gasket onto the top edge of the glass with the grooved face of the gasket facing outwards. Fit the wall bracket over the glass and onto the top of the wall mount.
- c. Mark the centre of the slotted holes in the wall bracket onto the wall. Remove the wall bracket and drill and fix the wall plugs. Refit the wall bracket. Clamp the bracket onto the glass by tightening the clamping screws on the inside of the bracket. Fit the clamping screw cover caps into the two unused holes on the inside of the wall bracket. Apply a small spot of silicon in the holes before fitting the caps.
- c. Fix the bracket to the wall using the No.8 x 50 Pan head screws and fit the bracket screw cover caps.
- d. Apply a thin bead of silicon sealant on the outside along the bottom edge of the wall mount and fixed panel glass. Continue the sealant around the base of the vertical hinge seal and insert a small bead into the end of the vertical hinge seal hollow bubble.
- e. Apply silicon sealant 100mm up the joint between the wall mount and the fixed glass panel adjustment frame. Apply silicon sealant all the way up the outside of the wall mount extrusion between the wall mount and tiles.
- f. Apply a small spot of silicon sealant at both ends of the horizontal seal between the bottom edge of the glass panel and seal. Position the hinge panel in the open position and allow for the silicon sealant to cure.

Masking tape can be used to achieve a tidy edge to the sealant. Remove the masking tape immediately and allow the silicon to cure for 24 – 48 hours before using the shower.

PARTS LIST

* ITEM VARIES DEPENDING ON MODEL

PARTS LIST				
ITEM	DESCRIPTION	PART No.	QTY	LENGTH
1*	EWH WALK-IN FRONT PANEL (1200)	8172 M CLEAR/PLAIN	1	680mm
1*	EWH WALK-IN FRONT PANEL (1500)	8173 M CLEAR/PLAIN	1	900mm
1*	EWH WALK-IN FRONT PANEL (1700)	8174 M CLEAR/PLAIN	1	1050mm
2*	EWPH WALK-IN HINGE PANEL (1200)	8192 M CLEAR/PLAIN	1	450mm
2*	EWPH WALK-IN HINGE PANEL (1500/1700)	8186 M CLEAR/PLAIN	1	500mm
3	CUT DOWN BRACE BAR KIT	7324 AF	1	
4	EWPH HORIZONTAL SEAL	2371 CLEAR	2	500mm
5	EWPH INWARD OPENING HINGE	7294 AF	2	
6	EWH/EWPH CENTRE VERTICAL SEAL	2378 CLEAR	1	1193mm
7	EWH/EWPH TOP & BOTT SEAL	2379 CLEAR	2	376mm
8	EWPH VERTICAL FRAME	7445 A SILVER	1	2004mm
9	EWPH WALL MOUNT	7444 A SILVER	1	1993mm
10	EWPH WALL MOUNT COVER	7448 A SILVER	1	1993mm
11	ST4.2x9.5 PAN SCREWS	1420 A SILVER	4	
12	EPD WALL BRACKET AND PARTS KIT	7298 AF	1	
13	CLEAR SILICON SEALANT 78g	1967 AF	1	
14	GUARANTEE BOOKLET	1061 AF	1	
15	INSTALLATION INSTRUCTIONS	0966 AF	1	



We recommend that these instructions are handed to the user with a note of a date of purchase and model details.
To order replacements quote: Part Descriptions, Model, Part Number and Colour.

MAINTENANCE

Matki Glass Guard Easy Clean Surface Protection (optional) and General Cleaning Guide

Cleaning Instructions

Matki Glass Guard allows water to form minute beads which easily trickle off the surface of the glass. This makes the glass easier to clean - the glass does not need to be cleaned as frequently, but it does require occasional maintenance. As less cleaning is required the use of detergents can be minimised thus helping to protect the environment. The lifespan of the Matki Glass Guard is dependant on the frequency of use of the shower and the degree of water hardness.

The combination of alkaline materials and humidity affects glass in an extremely aggressive way. Do not use bleach, alkaline, acid-based or aggressive and abrasive glass cleaners, detergents or household cleaning products on the glass or frames.

We recommend that glass is washed down with clean water and a soft clean cloth or sponge and dried off with a microfibre cloth.

The special coating is only present on the inside of the glass.

Matki Glass Guard is guaranteed for 2 years provided that the guidelines and cleaning instructions are followed.

Aluminium and Chrome parts should be cleaned with a mild non scratch household cleaner and a soft cloth or sponge.

Do not use acidic-based descaler products or products which are unsuitable for cleaning enamelled surfaces, including abrasive cleaners or cleaners containing bleach or solvents, as the products will effect the anodised framework. Under no circumstances use cleaners with a pH level exceeding 8.

Matki does not recommend the use of 'Leave-on' shower cleaners on Matki Glass Guard Products.

Water Softeners and Glass Guard - Certain types of water softeners increase the alkalinity of the water due to a carry-over of Chloride during re-generation which can cause aggressive water spots on both untreated and Glass Guarded glass. If using a water softener we recommend a two-cylinder machine with automatic re-generation instead of a timer. If a single-cylinder water softener with timer is already installed it is recommended that after each shower excess water is removed from the glass with a squeegee or with a micro-fibre cloth.

Annual recommended maintenance - Matki recommend annually lubricating the barrel of the hinge with a lubricating spray such as WD-40 to remove dust build-up and to aid the movement of the hinge.



Wash down with clean warm water and a soft clean cloth or sponge.



Do not use bleach, alkaline or acid-based, aggressive or abrasive cleaning products.

Flash Bathroom Spray or Cif Bathroom Spray can be used on Matki Products.

Various specialist cleaning and glass dressing products are available from Ritec International Ltd Tel. 020 8344 8210 or www.ritec.co.uk. Matki Plc is not connected with Ritec International Ltd in any way and the contact details are supplied for information only. Read manufacturers label before using any cleaning materials.

IMPORTANT

Matki Glass Guard is guaranteed for 2 years. It is essential that the cleaning instructions are followed in order to maintain the hydrophobic properties of the glass coating. In the event of the failure to comply in any way with these instructions, any warranty or guarantee will be null and void.

MATKI PLC, CHURCHWARD ROAD, YATE, BRISTOL, BS37 5PL
TELEPHONE:01454 328816 (AFTER SALES) FAX:01454 328821 EMAIL: techsupport@matki.co.uk

