

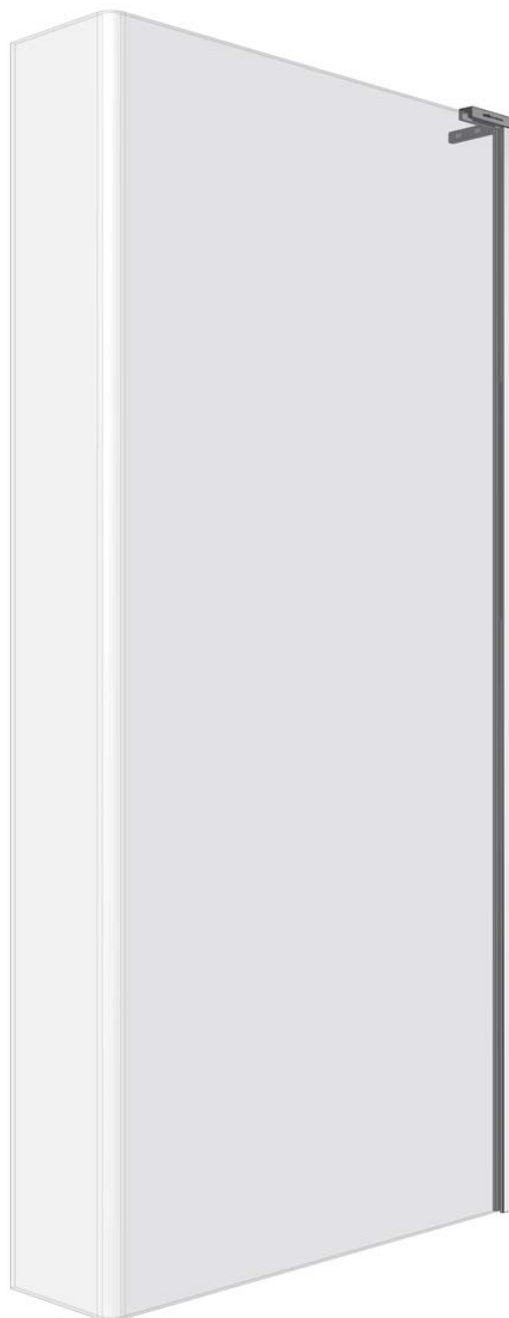
matki | S H O W E R I N G

EAUZONE PLUS

EWL - RADIUS 20 WET ROOM PANEL

INSTALLATION

PARTS LIST



MATKI PLC, CHURCHWARD ROAD, YATE, BRISTOL, BS37 5PL
TELEPHONE:01454 328816 (AFTER SALES) FAX:01454 328821 EMAIL: techsupport@matki.co.uk

1197 AF 02/17

IMPORTANT

TOOLS REQUIRED

Masonry Drill bit 6mm, Tape Measure, Screw Drivers, Safety Glasses, Electric Drill, Level, Pencil, Adjustable Spanners, Non Slip Gloves

Before disposing of carton and/or commencing assembly, please check all the parts to ascertain that none are missing and they are all undamaged. No claim for missing/damaged parts will be accepted once the packing carton has been disposed of and/or assembly has commenced.

In case of query contact your Stockist with details of model number and details of serial number.

PREPARATION IMPORTANT

1. Please read complete installation instructions before fitting for enclosure and tray (if fitting).
2. We recommend that two people are available for fitting of the Panel, Stage 2. The **Eauzone Plus** range is **10mm Glass** construction. Large glass panels are very heavy. We recommend the use of safety glasses and non slip gloves when handling the glass panels.
3. Ensure that the product can be **fixed** to a **solid masonry wall** or suitable **timber stud work grade C16/C24** in the area behind the wall frames and panel fixing brackets.
4. Shower trays or tiled floors **must be absolutely level** where enclosures are fitted
5. If fitting a tray we recommend a **drainage test** is carried out before the tray is tiled in position.
6. The assembly should be installed onto a waterproof wall covering and installed after the tray and wall coverings are in place. Trays with tiling lips should be let into the wall with the tiling lip flush with the wall to allow the tiling to overlap the tiling lip.
7. Seal between tray and tiles. Remove any excess sealant from the area/joint between the tray and the tiles where the wall mount is to be fitted. This will ensure the wall mount fits correctly to the wall and tray/or tiled floor.

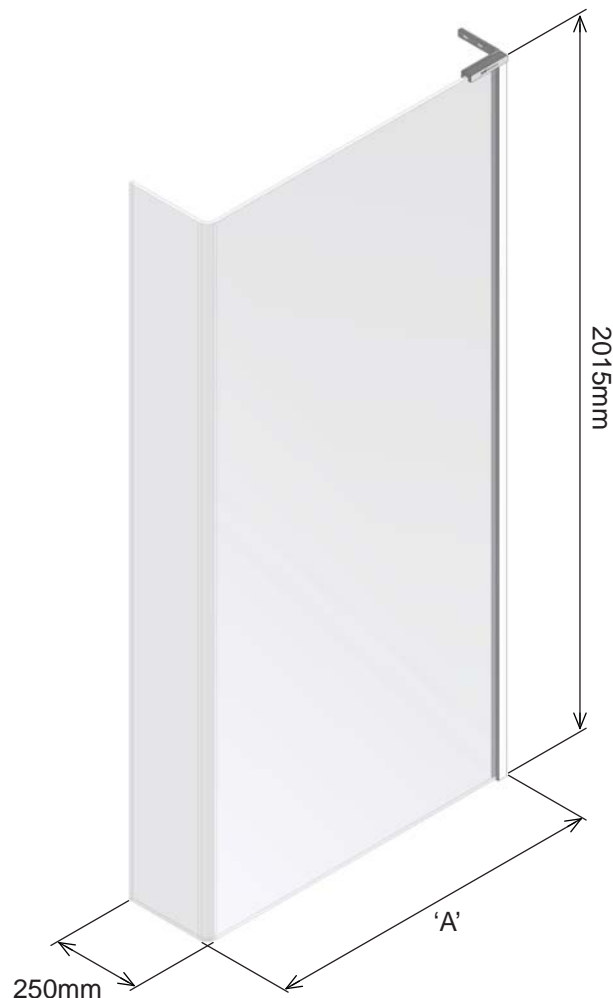
CAUTION: TEMPERED GLASS CANNOT BE CUT, POLISHED METAL AND CHROME CAN BE SCRATCHED. CAREFULLY REMOVE ASSEMBLY FROM CARTON, DO NOT PLACE GLASS ON HARD FLOOR OR EXPOSE EDGES TO IMPACT.

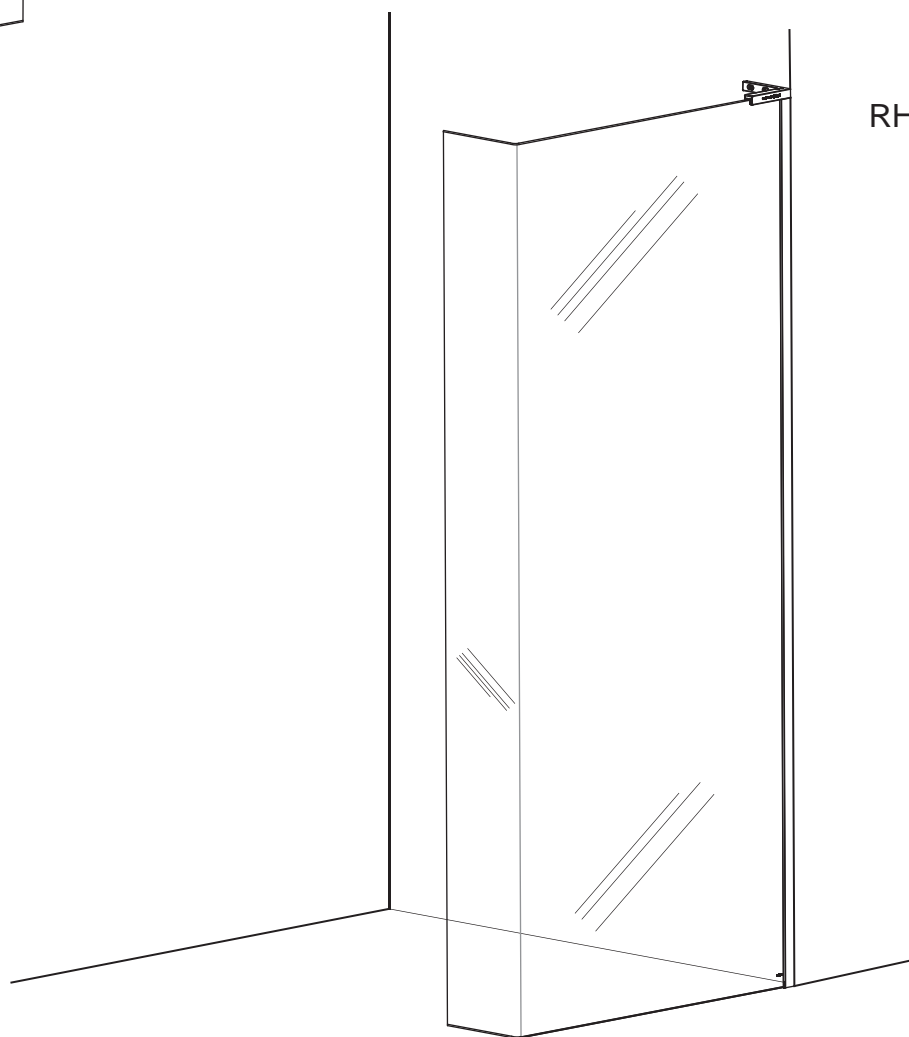
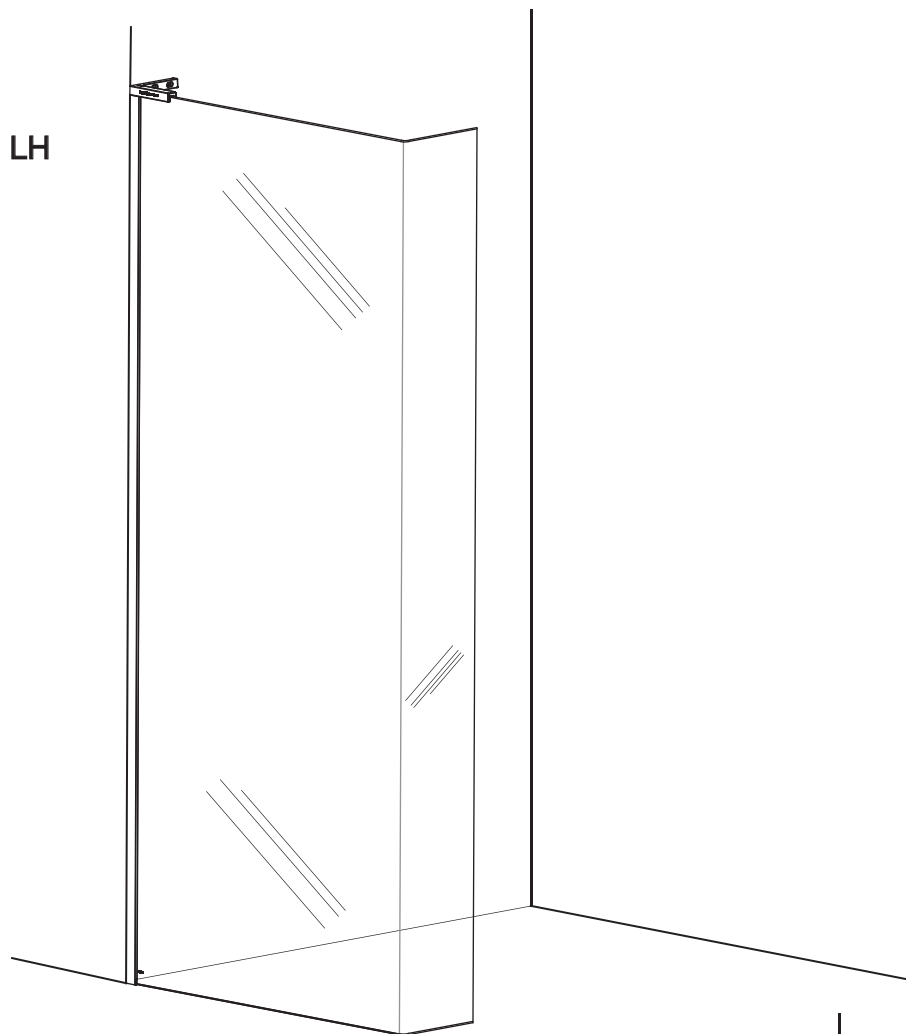
DIMENSIONS

*dimensions are approximate

EWL - RADIUS 20 WET ROOM PANEL

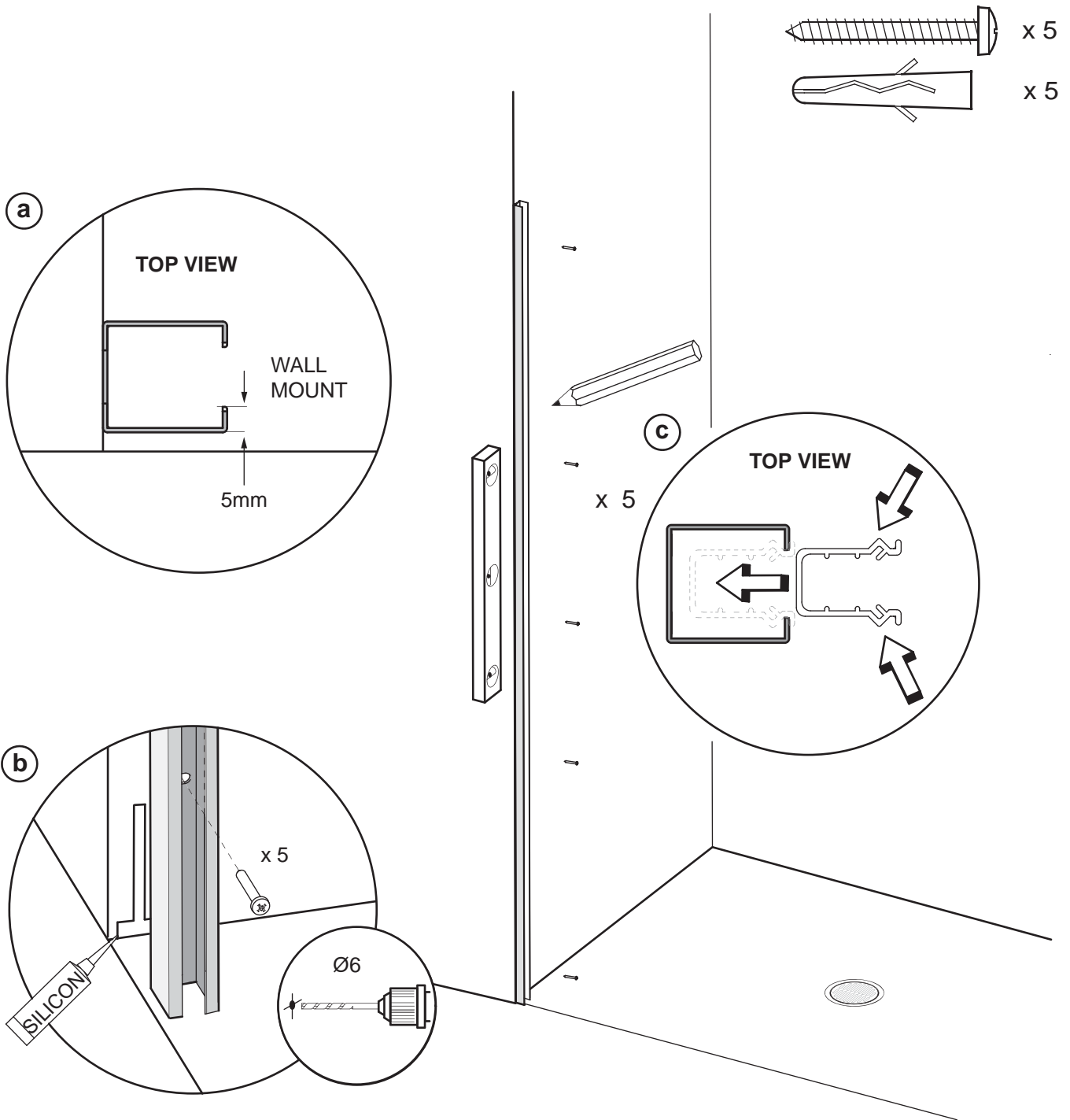
MODEL	TOTAL WIDTH 'A'
EWL800:	754mm – 764mm
EWL900:	854mm – 864mm
EWL1000:	954mm – 964mm





THE STAGES IN THIS INSTALLATION BOOKLET SHOW AN LH INSTALLATION REVERSE FOR RH

STAGE 1



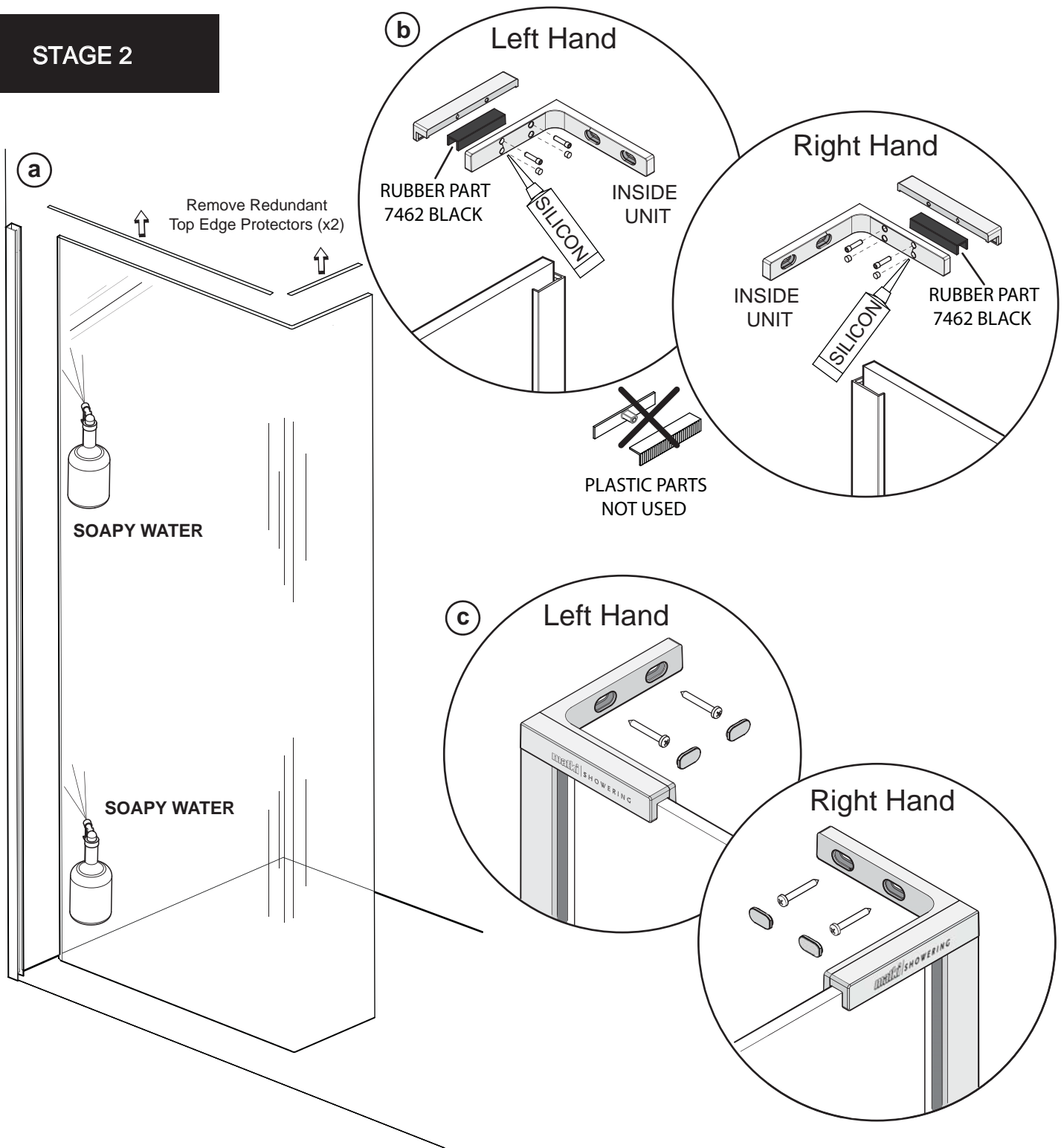
This stage is describing the Wall Mount installation.

a. Position the wall mount on to the wall in the desired position. If fitting the panel close to the edge of a shower tray take into account that the front face of the wall mount sits approximately 7.5mm forward from the glass panel. Plumb the wall mount for upright and mark the fixing holes on the wall in the centre of the slots in the back face of the wall mount. Drill the fixing holes in the wall and insert the wall plugs. Clean the area.

b. Apply silicon sealant to the area behind the wall mount between the floor or tray and the tiles and 100mm up the wall, central to the width of the wall mount. Fit the wall mount with the 5 x No. 8 x 32mm Pan head screws. (Kit of parts)

c. Fit the wall mount seal into the wall mount by pinching the sides together and fitting it into the wall mount until it snaps into position, the bottom of the seal should sit on the floor/tray.

STAGE 2



This stage is describing the fitting of the glass panel. We recommend two people are available for this stage. The Panel Top Bracket is unhandled. To change the orientation of the bracket to suit your product; remove the screws, flip the inside 'L' Shaped part over and re-attach with the screws in the top holes to the respective LH/RH front plate.

a. Lightly wet the edge of the glass panel with soapy water. Gently lift, push and then lower the panel into the wall mount. Remove the two top, redundant glass edge protectors (x2).

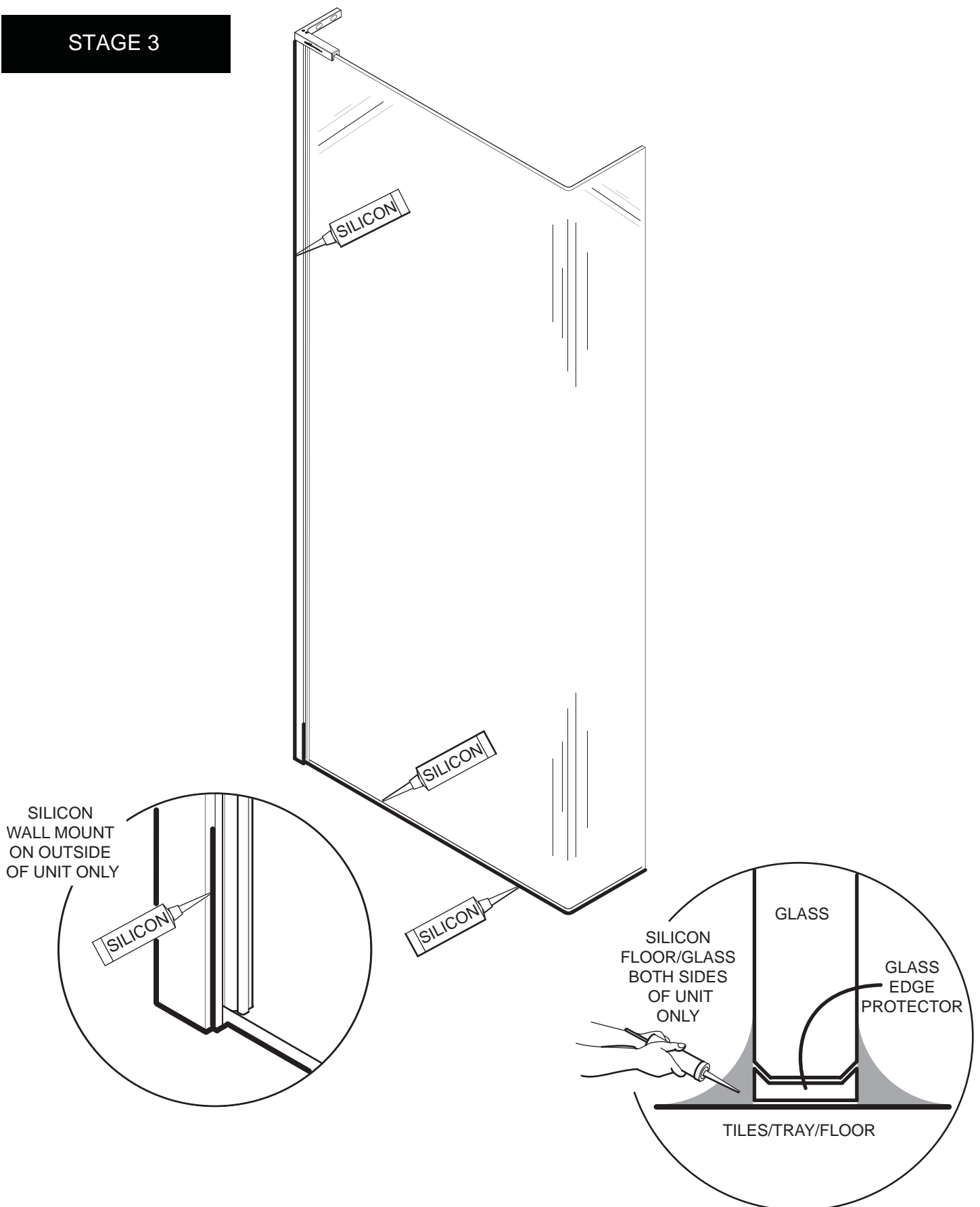
b. Fitting of Panel Top bracket: Fit the rubber 'U' shaped gasket onto the top edge of the glass with the grooved face of the gasket facing outwards. Fit the wall bracket over the glass and onto the top of the wall mount.

c. Mark the centre of the slotted holes in the wall bracket onto the wall. Remove the wall bracket and drill and fix the wall plugs.

b. Refit the wall bracket. Clamp the bracket onto the glass by tightening the clamping screws on the inside of the bracket. Fit the clamping screw cover caps into the two unused holes on the inside of the wall bracket. Apply a small spot of silicon in the holes before fitting the caps.

c. Fix the bracket to the wall using the No.8 x 50 Pan head screws and fit the bracket screw cover caps

STAGE 3

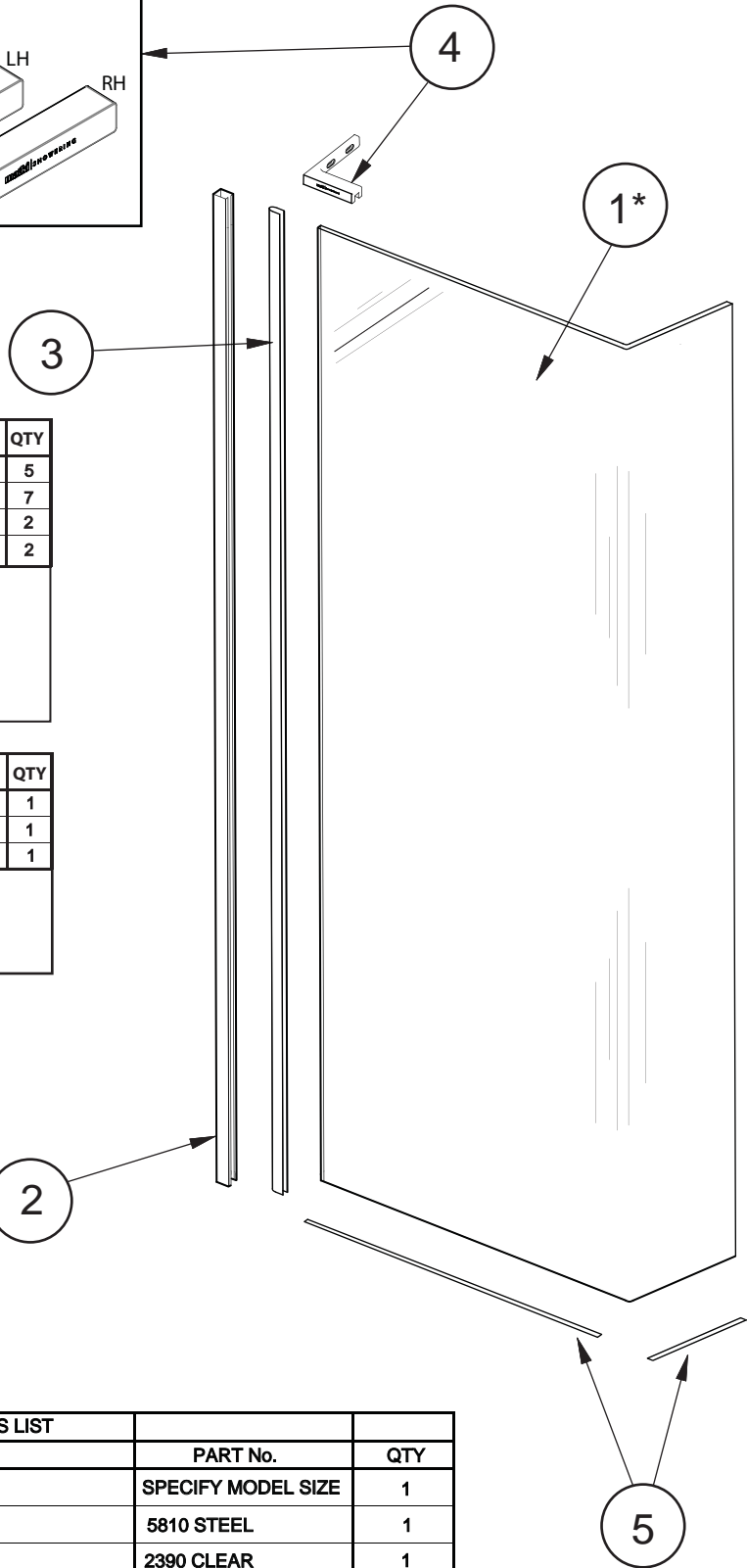
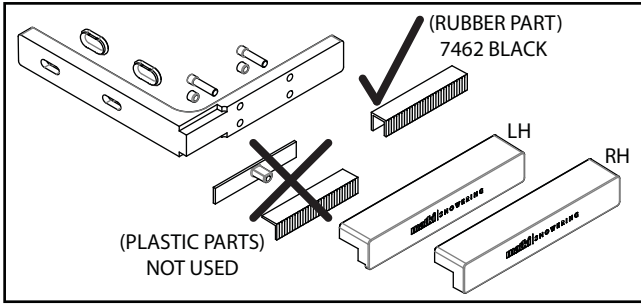


This stage is describing the Silicon Sealant of the Panel.

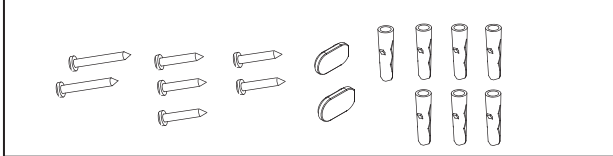
Apply a thin bead of Silicon all the way up the outside of the Wall Mount - between the Wall Mount and the tiles. Silicone along the bottom edge of the Wall Mount - where the Wall Mount meets the Tiles/Tray/Flooring. Silicone about 50mm up the joint where the wall mount seal joins the Wall Mount. It is important to create a water-tight seal between the Panel Glass, Glass Edge Protector (on the bottom edge of the Panel) and the Tiles/Tray/Flooring. Apply a fillet of Silicone that covers these parts all the way along to the wall mount - on both sides.

Masking tape can be used to achieve a tidy edge to the sealant. Remove the masking tape immediately and allow the silicon to cure for 24 hours before using the shower.

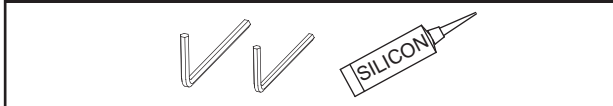
PARTS LIST



WALL MOUNT & TOP BRACKET PARTS KIT	6178 AF	QTY
No.8 x 32 PAN HEAD SELF TAP SCREW	1471 A SILVER	5
WALL PLUG	1818 AF	7
NRP HINGE BRACKET CAP	5579 A SILVER	2
No.8 x 51mm(2") PAN HEAD SCREW	1492 A SILVER	2



BS WETROOM PARTS KIT	7321 AF	QTY
2.5mm ALLEN KEY	1168 AF	1
3mm ALLEN KEY	1167 AF	1
SILICON SEALANT	1967 AF	1



PARTS LIST			
ITEM	DESCRIPTION	PART No.	QTY
* 1	GLASS PANEL	SPECIFY MODEL SIZE	1
2	WET ROOM PANEL WALL MOUNT (EWP)	5810 STEEL	1
3	WALL MOUNT SEAL 10mm	2390 CLEAR	1
4	EWP L WALL BRACKET	7394 AF	1
5	GLASS EDGE PROTECTOR (EWP)	6091 CLEAR	2

We recommend that these instructions are handed to the user with a note of a date of purchase and model details.
To order replacements quote: Part Descriptions, Model, Part Number and Colour.

MAINTENANCE

Matki Glass Guard Easy Clean Surface Protection (optional) and General Cleaning Guide

Cleaning Instructions

Matki Glass Guard allows water to form minute beads which easily trickle off the surface of the glass. This makes the glass easier to clean - the glass does not need to be cleaned as frequently, but it does require occasional maintenance. As less cleaning is required the use of detergents can be minimised thus helping to protect the environment. The lifespan of the Matki Glass Guard is dependant on the frequency of use of the shower and the degree of water hardness.

The combination of alkaline materials and humidity affects glass in an extremely aggressive way. Do not use bleach, alkaline, acid-based or aggressive and abrasive glass cleaners, detergents or household cleaning products on the glass or frames.

We recommend that glass is washed down with clean water and a soft clean cloth or sponge and dried off with a microfibre cloth.

The special coating is only present on the inside of the glass.

Matki Glass Guard is guaranteed for 2 years provided that the guidelines and cleaning instructions are followed.

Aluminium and Chrome parts should be cleaned with a mild non scratch household cleaner and a soft cloth or sponge.

Do not use acidic-based descaler products or products which are unsuitable for cleaning enamelled surfaces, including abrasive cleaners or cleaners containing bleach or solvents, as the products will effect the anodised framework. Under no circumstances use cleaners with a pH level exceeding 8.

Matki does not recommend the use of 'Leave-on' shower cleaners on Matki Glass Guard Products.

Water Softeners and Glass Guard - Certain types of water softeners increase the alkalinity of the water due to a carry-over of Chloride during re-generation which can cause aggressive water spots on both untreated and Glass Guarded glass. If using a water softener we recommend a two-cylinder machine with automatic re-generation instead of a timer.

If a single-cylinder water softener with timer is already installed it is recommended that after each shower excess water is removed from the glass with a squeegee or with a micro-fibre cloth.



Wash down with clean warm water and a soft clean cloth or sponge.



Do not use bleach, alkaline or acid-based, aggressive or abrasive cleaning products.

Flash Bathroom Spray or Cif Bathroom Spray can be used on Matki Products.

Various specialist cleaning and glass dressing products are available from Ritec International Ltd Tel. 020 8344 8210 or www.ritec.co.uk. Matki Plc is not connected with Ritec International Ltd in any way and the contact details are supplied for information only. Read manufacturers label before using any cleaning materials.

IMPORTANT

Matki Glass Guard is guaranteed for 2 years. It is essential that the cleaning instructions are followed in order to maintain the hydrophobic properties of the glass coating. In the event of the failure to comply in any way with these instructions, any warranty or guarantee will be null and void.

MATKI PLC, CHURCHWARD ROAD, YATE, BRISTOL, BS37 5PL
TELEPHONE:01454 328816 (AFTER SALES) FAX:01454 328821 EMAIL: techsupport@matki.co.uk



matki | SHOWERING
13
Matki PLC, Churchward Road, Yate,
Bristol BS37 5PL
EN 14428:2008+A1