

matki

SHOWERING

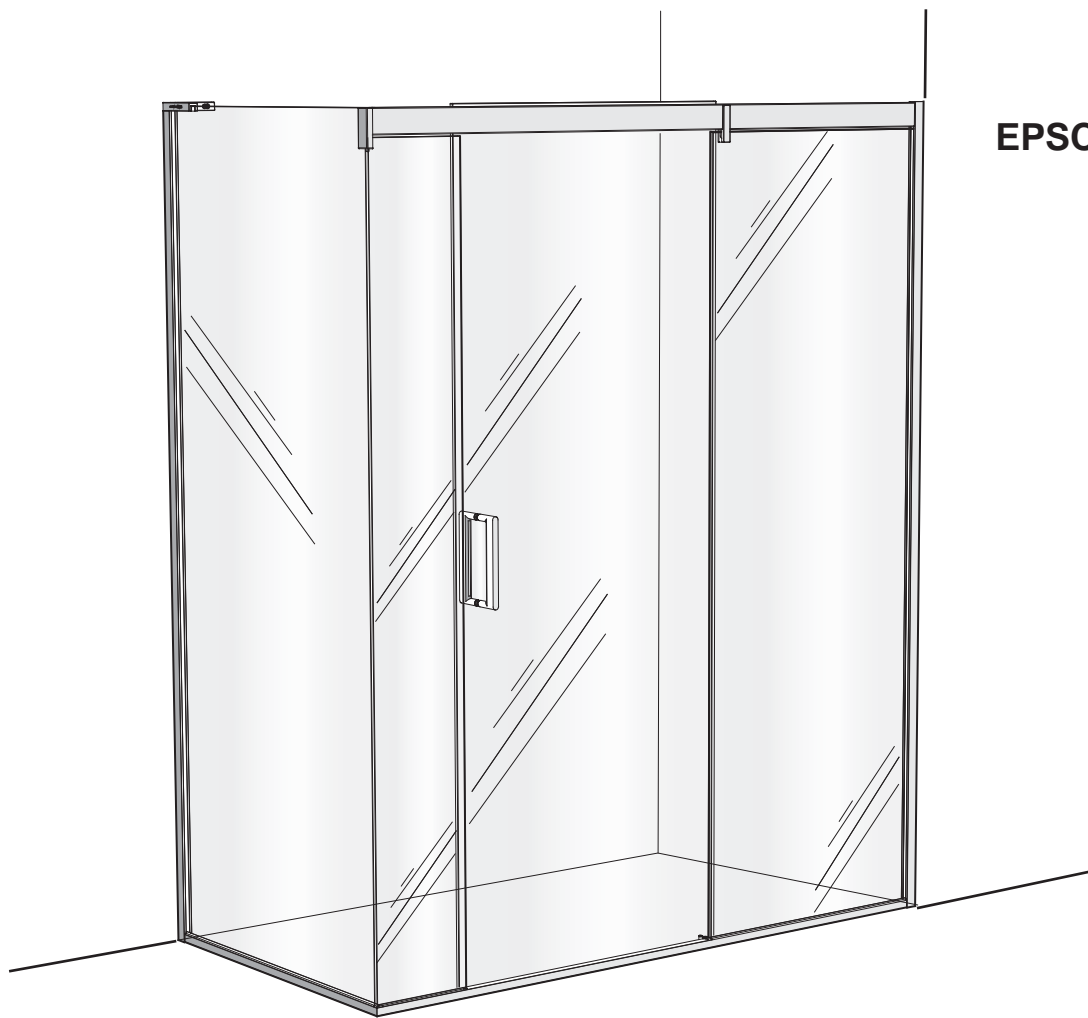
EAUZONE PLUS EPSC- CORNER SLIDER

INSTALLATION

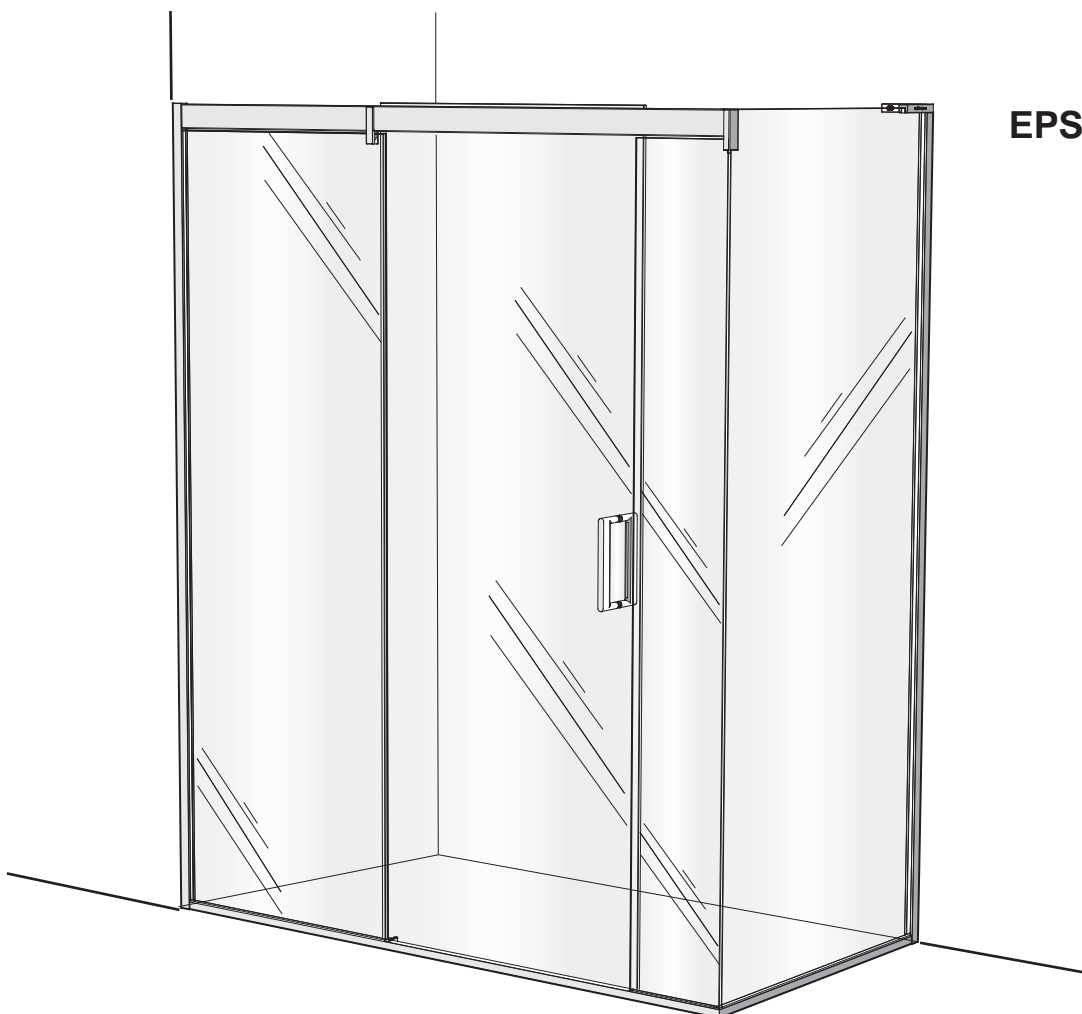
PARTS LIST



MATKI PLC, CHURCHWARD ROAD, YATE, BRISTOL, BS37 5PL
TELEPHONE:01454 328816 (AFTER SALES) FAX:01454 328821 EMAIL: techsupport@matki.co.uk



EPSC RH



EPSC LH

THE STAGES IN THIS INSTALLATION BOOKLET SHOW AN EPSC LH INSTALLATION REVERSE FOR RH

IMPORTANT AND DIMENSIONS

TOOLS REQUIRED

Masonry Drill bit 6mm, Tape Measure, Screw Drivers, Safety Glasses, Electric Drill, Level, Pencil, Adjustable Spanners, Non Slip Gloves

Before disposing of carton and/or commencing assembly, please check all the parts to ascertain that none are missing and they are all undamaged. No claim for missing/damaged parts will be accepted once the packing carton has been disposed of and/or assembly has commenced.

In case of query contact your Stockist with details of model number and details of serial number.

PREPARATION IMPORTANT

1. Please read complete installation instructions before fitting for enclosure and tray (if fitting).
2. We recommend that two people are available for fitting of the door Stage 8. The **Eauzone Plus** range is **10mm glass** construction. Large glass panels are very heavy. We recommend the use of safety glasses and non slip gloves when handling the glass panels.
3. Ensure that the product can be **fixed to a solid masonry wall** or suitable **timber stud work grade C16/C24** in the area behind the wall frames and panel fixing brackets.
4. Shower trays or tiled floors **must be absolutely level** where enclosures are fitted
5. If fitting a tray we recommend a **drainage test** is carried out before the tray is tiled in position.
6. The assembly should be installed onto a waterproof wall covering and installed after the tray and wall coverings are in place. Trays with tiling lips should be let into the wall with the tiling lip flush with the wall to allow the tiling to overlap the tiling lip.
7. Seal between tray and tiles. Remove any excess sealant from area/joint between the tray and the tiles where the wall mount is to be fitted. This will ensure the wall mount fits correctly to the wall and tray/or tiled floor.

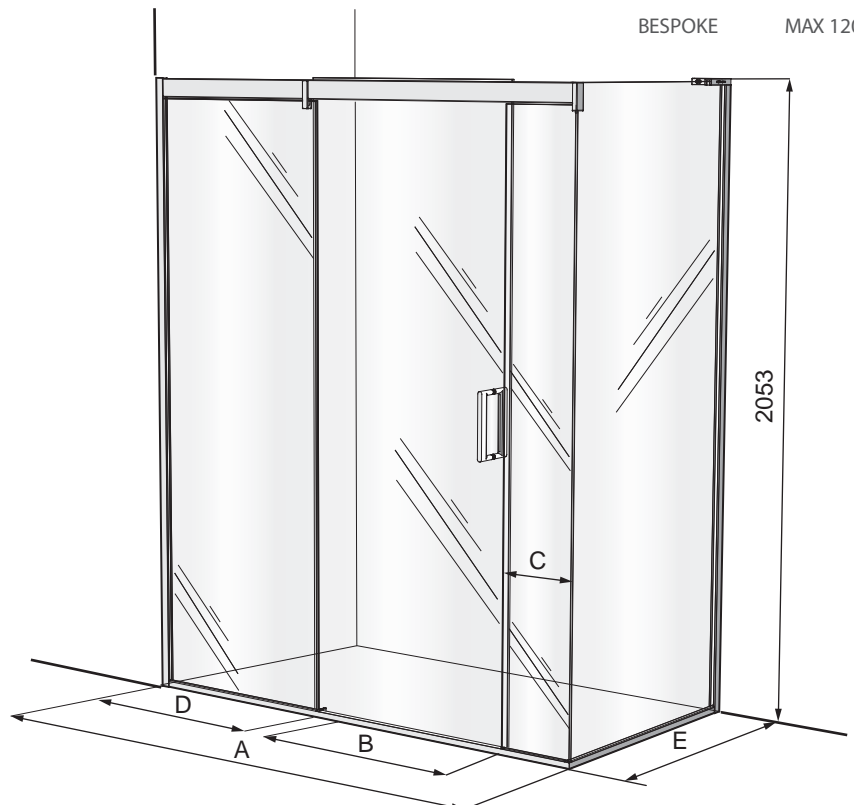
CAUTION: TEMPERED GLASS CANNOT BE CUT, POLISHED METAL AND CHROME CAN BE SCRATCHED. CAREFULLY REMOVE ASSEMBLY FROM CARTON, DO NOT PLACE GLASS ON HARD FLOOR OR EXPOSE EDGES TO IMPACT. DO NOT CUT TOP TRACK IN ANY CIRCUMSTANCES.

EAUZONE PLUS SLIDER CORNER

MODEL	TOTAL WIDTH A	DOOR OPENING B	CLOSURE PANEL C	FIXED PANEL D
EPSC1200	1172-1187	465	56	523-543
EPSC1225	1197-1212	465	81	523-543
EPSC1250	1222-1237	465	106	523-543
EPSC1275	1247-1262	465	131	523-543
EPSC1300	1272-1287	465	156	523-543
EPSC1325	1297-1312	465	181	523-543
EPSC1350	1322-1337	465	206	523-543
EPSC1375	1347-1362	465	231	523-543
EPSC1400	1372-1387	465	256	523-543
EPSC1425	1397-1412	465	281	523-543
EPSC1450	1422-1437	465	306	523-543
EPSC1475	1447-1462	465	331	523-543
EPSC1500	1472-1487	610	56	678-693
EPSC1525	1497-1512	610	81	678-693
EPSC1550	1522-1537	610	106	678-693
EPSC1575	1547-1562	610	131	678-693
EPSC1600	1572-1587	610	156	678-693
EPSC1625	1597-1612	610	181	678-693
EPSC1650	1622-1637	610	206	678-693
EPSC1675	1647-1662	610	231	678-693
EPSC1700	1672-1687	610	256	678-693
EPSC1725	1697-1712	610	281	678-693
EPSC1750	1722-1737	610	306	678-693
EPSC1775	1747-1762	610	331	678-693
EPSC1800	1772-1787	610	356	678-693

SIDE PANEL

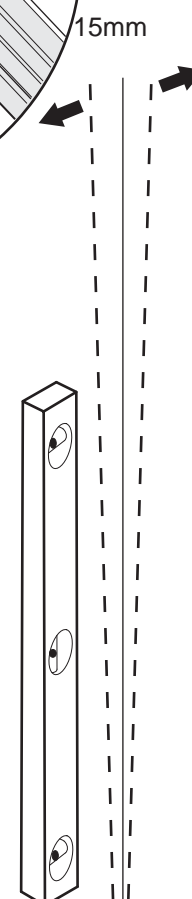
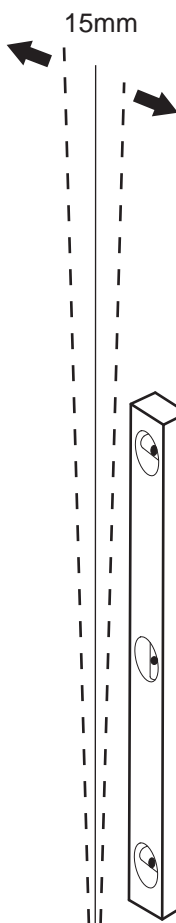
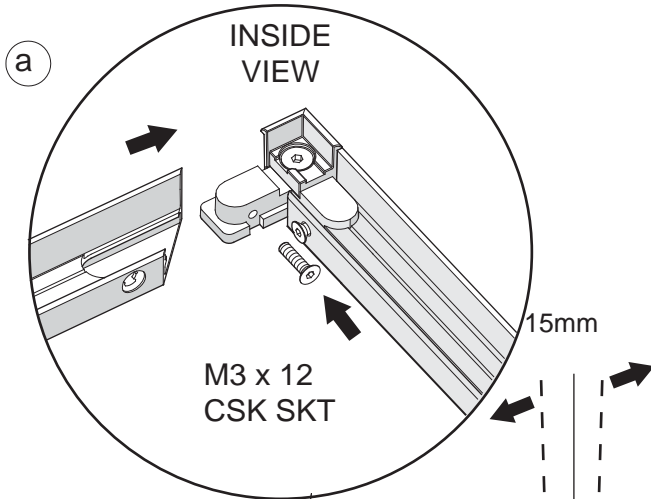
MODEL	TOTAL WIDTH E
EPSC700SP	671 - 686
EPSC760SP	731 - 746
EPSC800SP	771 - 786
EPSC900SP	871 - 886
EPSC1000SP	971 - 986
BESPOKE	MAX 1200



Dimensions are approximate

STAGE 1

MODEL	TOTAL WIDTH (A)	SIDE PANEL TOTAL WIDTH (B)
EPSC1200	1172-1187	EPSC700SP 671 - 686
EPSC1225	1197-1212	EPSC760SP 731 - 746
EPSC1250	1222-1237	EPSC800SP 771 - 786
EPSC1275	1247-1262	EPSC900SP 871 - 886
EPSC1300	1272-1287	EPSC1000SP 971 - 986
EPSC1325	1297-1312	BESPOKE MAX 1200
EPSC1350	1322-1337	
EPSC1375	1347-1362	
EPSC1400	1372-1387	
EPSC1425	1397-1412	
EPSC1450	1422-1437	
EPSC1475	1447-1462	
EPSC1500	1472-1487	
EPSC1525	1497-1512	
EPSC1550	1522-1537	
EPSC1575	1547-1562	
EPSC1600	1572-1587	
EPSC1625	1597-1612	
EPSC1650	1622-1637	
EPSC1675	1647-1662	
EPSC1700	1672-1687	
EPSC1725	1697-1712	
EPSC1750	1722-1737	
EPSC1775	1747-1762	
EPSC1800	1772-1787	



B - 3mm
A - 3mm

The Side Panel Threshold Track is packed in the Side Panel Carton

This stage is describing the placement of the Threshold track.
Important: Check the walls for upright before positioning the threshold track. If the wall is leaning **outward** at the top adjust the threshold dimension inwards to maximise the adjustment range. If the wall is leaning **inwards** at the top adjust the threshold track outwards to maximise the adjustment range.

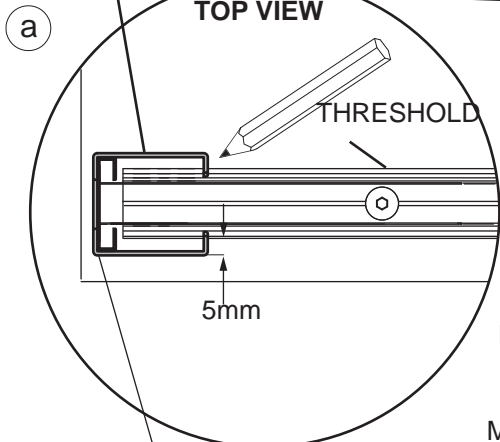
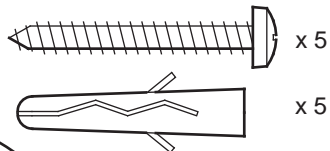
a. Fit the threshold mitred ends together using the M3 x 12 Csk socket screw, pre-assembled to the threshold corner fixing bracket. The threshold should be at an angle of 90°. **The side panel threshold track is packed in the side panel carton.**

b. Place the threshold assembly onto the tray/floor surface. Measure and mark the distance from the wall to the outside face of the threshold. The table of dimensions show the overall product width to outside of wall mounts, for the distance to the outside of the threshold track subtract the 3mm from the dimensions above. **Check walls are plumb.**
 The EPSC Corner Slider has adjustable wall mounts to compensate for out of plumb walls. There is 15mm of adjustment in both the fixed panel wall mount and side panel wall mount. If walls are out of plumb ensure placement of threshold allows for the out of plumb walls.

STAGE 2

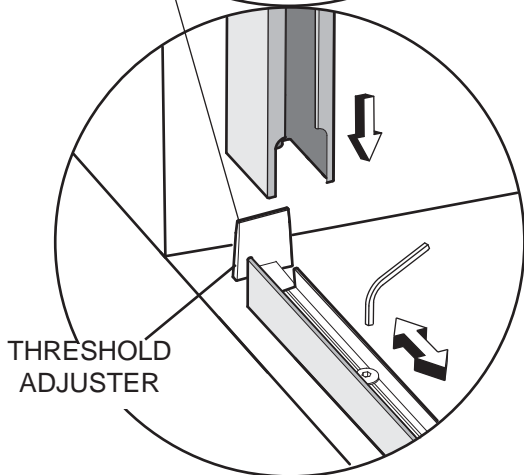
IMAGES SHOW LH CORNER INSTALLATION REVERSE FOR RH.

FIXED PANEL
WALL MOUNT

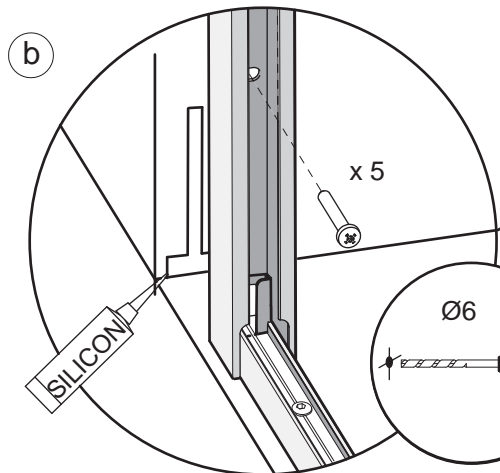


FIXED
PANEL
WALL
MOUNT

Please note: Use 5 fixing screws when wall surfaces are uneven. Use a minimum of 3 fixing screws, top, middle and bottom on flat wall surfaces



THRESHOLD
ADJUSTER



THRESHOLD

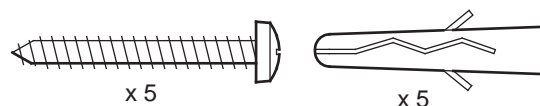
This stage is describing the fitting of the Fixed panel wall mount

a. Place the horizontal threshold into position on tray. (If fitting close to the front edge of the tray take into account that the front face of the fixed panel wall mount sits 3mm in front of the threshold). Position the fixed panel wall mount on to the wall over threshold. Note: Wall mount has a top and bottom, threshold cut-out should be at bottom). Ensure the threshold adjuster fits up into the back of the wall mount extrusion in the recess as shown. Adjust position of threshold adjuster as required, to adjust loosen screw only 1/2 a turn, re-tighten after adjustment, do not over tighten.

Plumb the wall mount for upright and mark the fixing holes in the centre of the slots.

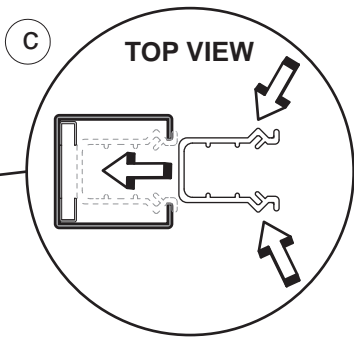
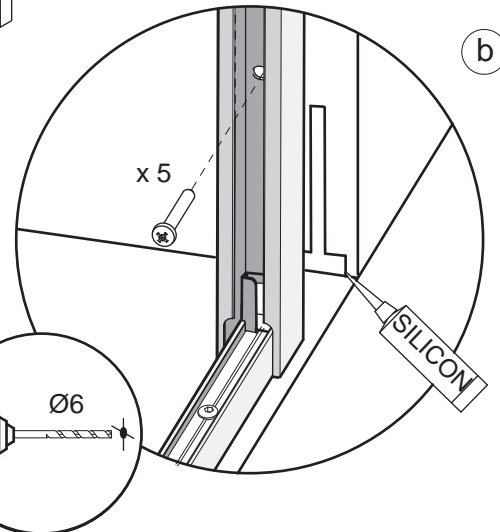
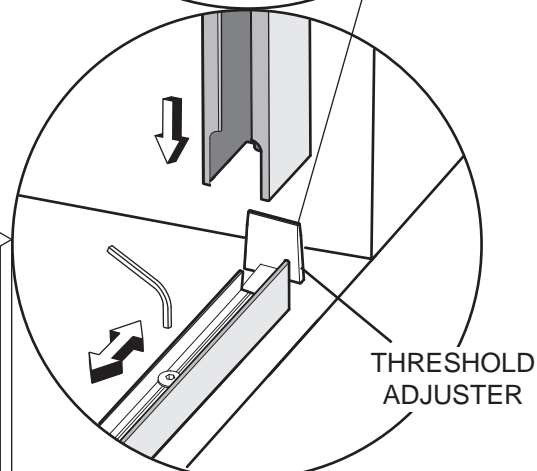
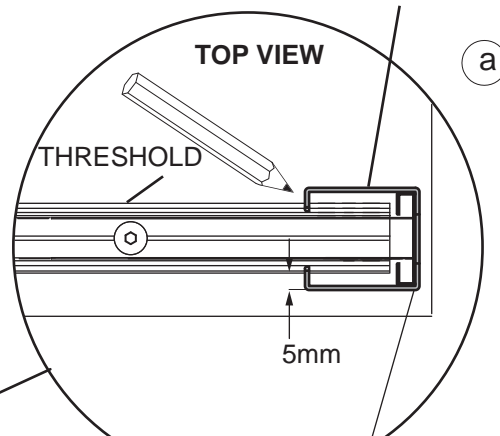
b. Drill 5 x fixing holes in the wall and insert wall plugs. Clean area and apply silicon sealant to the area behind the wall mount between the tray and tiles and 100mm up the wall, central to the width of the wall mount. Fit the wall mount using the No.8 x 32mm Pan Head Screws.

STAGE 3



FIXED PANEL
WALL MOUNT

Please note: Use 5 fixing screws when wall surfaces are uneven. Use a minimum of 3 fixing screws, top, middle and bottom on flat wall surfaces



x 5

(a)

(b)

(c)

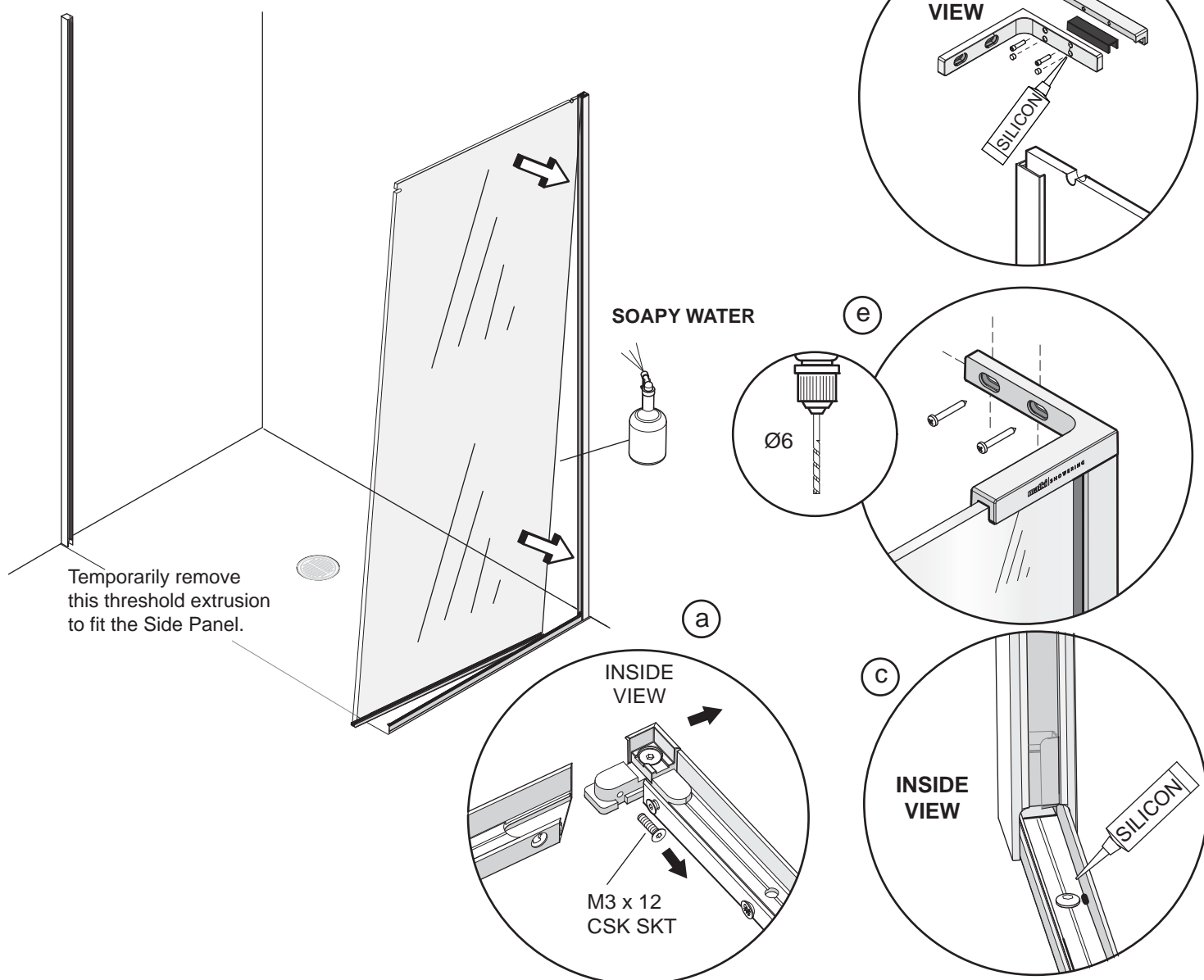
This stage is describing the fitting of the Side panel wall mount.

a. Position the side panel wall mount over the threshold in the position marked on the previous stage. Ensure the threshold adjuster fits up into the back of the wall mount extrusion in the recess as shown. Adjust position of threshold adjuster as required, to adjust loosen screw only 1/2 a turn, re-tighten after adjustment, do not over tighten. Plumb the wall mount for upright and mark the fixing holes in the centre of the slots.

b. Drill 5 x fixing holes in the wall and insert wall plugs. Clean the area and apply silicon sealant to the area behind the wall mount between the tray and tiles and 100mm up the wall, central to the width of the wall mount. Fit the wall mount using the No.8 x 32mm Pan Head Screws.

c. Fit the wall mount seals into both the wall mounts by pinching the sides together and fitting them into the wall mounts until they snap into position, the bottom of the seal should sit on top of the horizontal extrusion.

STAGE 4



This stage is describing the fitting of the Side panel. We recommend 2 people are available for this stage, and the use of Safety glasses and Non slip gloves when handling glass panels.

a. Before fitting the side panel temporarily remove the threshold extrusion at the corner and from the fixed panel wall mount. Remove the M3 x 12 csk screw from the corner bracket store safely to be re- assembled once the side panel is fitted in Stage 5.

b. Remove the M4 x 8 Csk Skt screw from the threshold adjuster at the fixed panel wall mount store safely to be re- assembled once the side panel is fitted in Stage 5.

c. Apply a bead of Silicon along the front inside edge of the Threshold up to the adjuster screw.

IMPORTANT Remove the packing blocks from the bottom of the side panel before fitting. Lift the side panel onto the threshold extrusion as close as possible to the wall mount **keep the panel upright**. Carefully push the panel into the side panel wall mount taking care not to damage the panel extrusion.

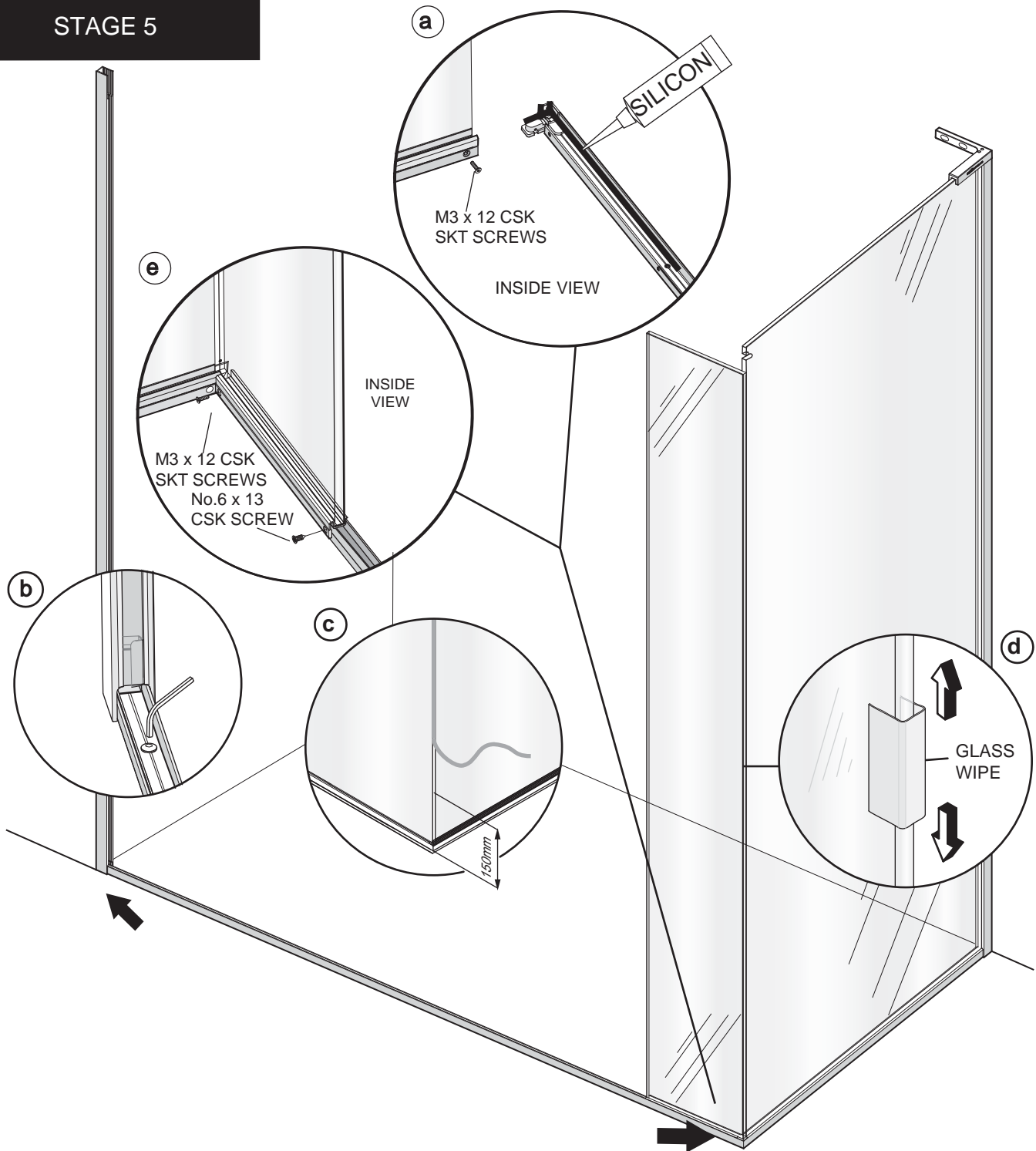
d. Fitting of Side panel top bracket: Fit the rubber ' U ' shaped gasket onto the top edge of the glass with the grooved face of the gasket facing outwards. Fit the wall bracket over the glass and onto the top of the wall mount.

e. Mark the centre of the slotted holes in the wall bracket onto the wall. Remove the wall bracket and drill and fix the wall plugs.

d. Refit the wall bracket. Clamp the bracket onto the glass by tightening the clamping screws on the inside of the bracket. Fit the clamping screw cover caps into the two unused holes on the inside of the wall bracket. Apply a small spot of silicon in the holes before fitting the caps.

e. Fix the bracket to the wall using the No.8 x 50 Pan head screws and fit the bracket screw cover caps

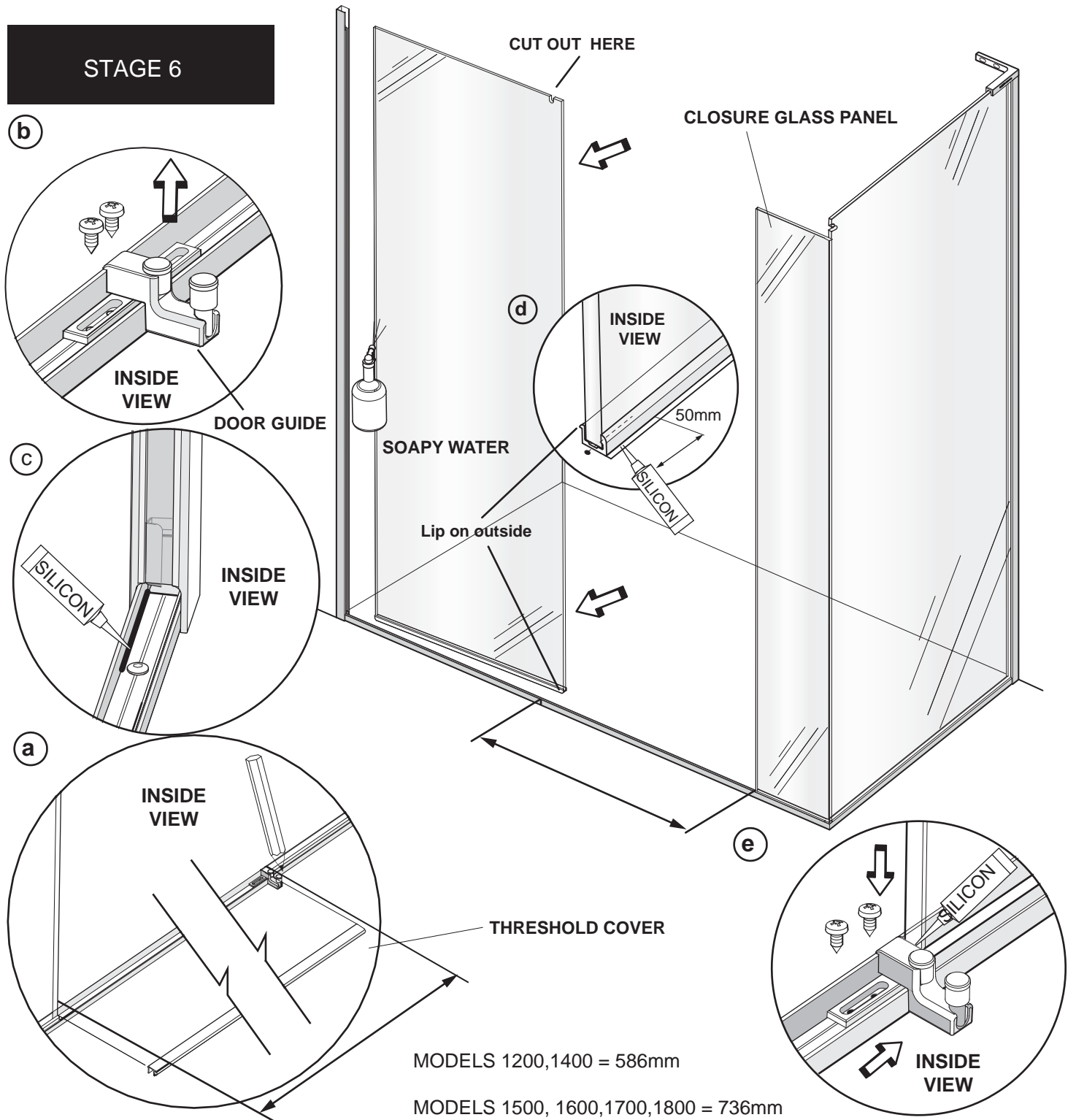
STAGE 5



This stage is describing the final fitting of the threshold and closure panel to the side panel

- a.** Before re-fitting the threshold into the fixed panel wall mount and at the side panel corner apply a bead of silicon sealant to the inside corners of the threshold corner cap and down the face where the return closure panel fits to the threshold. Remove the pre-assembled M3 x 12 Csk skt screws and No.6 x 13 Csk self tap screw. Secure the threshold to the corner extrusion using the M3 x 12 Csk screw using the allen key supplied.
- b.** Secure the threshold adjuster to the threshold with the M4 x 8 Csk skt screw. Do not over tighten.
- c.** Before fitting the closure panel, peel back approximately 150mm of the yellow backing film from the bonding tape that is on the edge of the side panel. Peel the backing film from the bottom upwards to aid removal of the film once front panel is in position.
- d.** Before fitting the closure panel to the side panel, clean the face of the front panel glass that will be bonded to the side panel using the cleaning wipe supplied. Carefully re-fit the fixed glass panel into position ensuring it is fully pushed into the corner cap of the threshold.
- Final bonding of corner joint between panels:** Carefully move the closure panel away from the Side panel at the top, maximum gap 15mm, to create a 'V' shaped gap between the closure panel and side panel. Slowly remove the backing film from the removed edge working upwards aligning the glass face and edge. Press the glass together as the backing film is removed, when 300mm from the top remove all the backing film and press firmly together. Allow 12 hours for the bond to cure fully before showering.
- e.** Secure the end of the closure panel frame to the threshold with the No.6 x 13 Csk self tap screw. (Spare screws are supplied in parts kit) Secure the second fixing in the corner with the M3 x 12 Csk screw using the allen key supplied

STAGE 6



MODELS 1200,1400 = 586mm

MODELS 1500, 1600,1700,1800 = 736mm

This stage is describing the fitting of the Fixed panel.

a. As a guide place the threshold cover extrusion between the door guide and closure glass panel. Mark on the threshold extrusion using a strip of masking tape or non permanent marker the distance to the outside edge of the door guide. This will be the finished position of the fixed panel. See dimension for model.

b. Remove the door guide from the threshold extrusion before fitting the fixed glass panel.

c. Apply a bead of Silicon along the front inside edge of the Threshold up to the adjuster screw.

d. IMPORTANT - Before fitting the fixed panel, apply a 50mm long bead of Silicon sealant central to the underside of the fixed panel extrusion. Fit the fixed panel with the cut out in the top of the glass panel outwards. Lightly wet the edge of the fixed panel with soapy water and gently lower the panel into the wall mount and threshold extrusion. Push the top of the panel into the wall mount first, followed by the bottom. Align the edge of the fixed panel to the mark on the threshold.

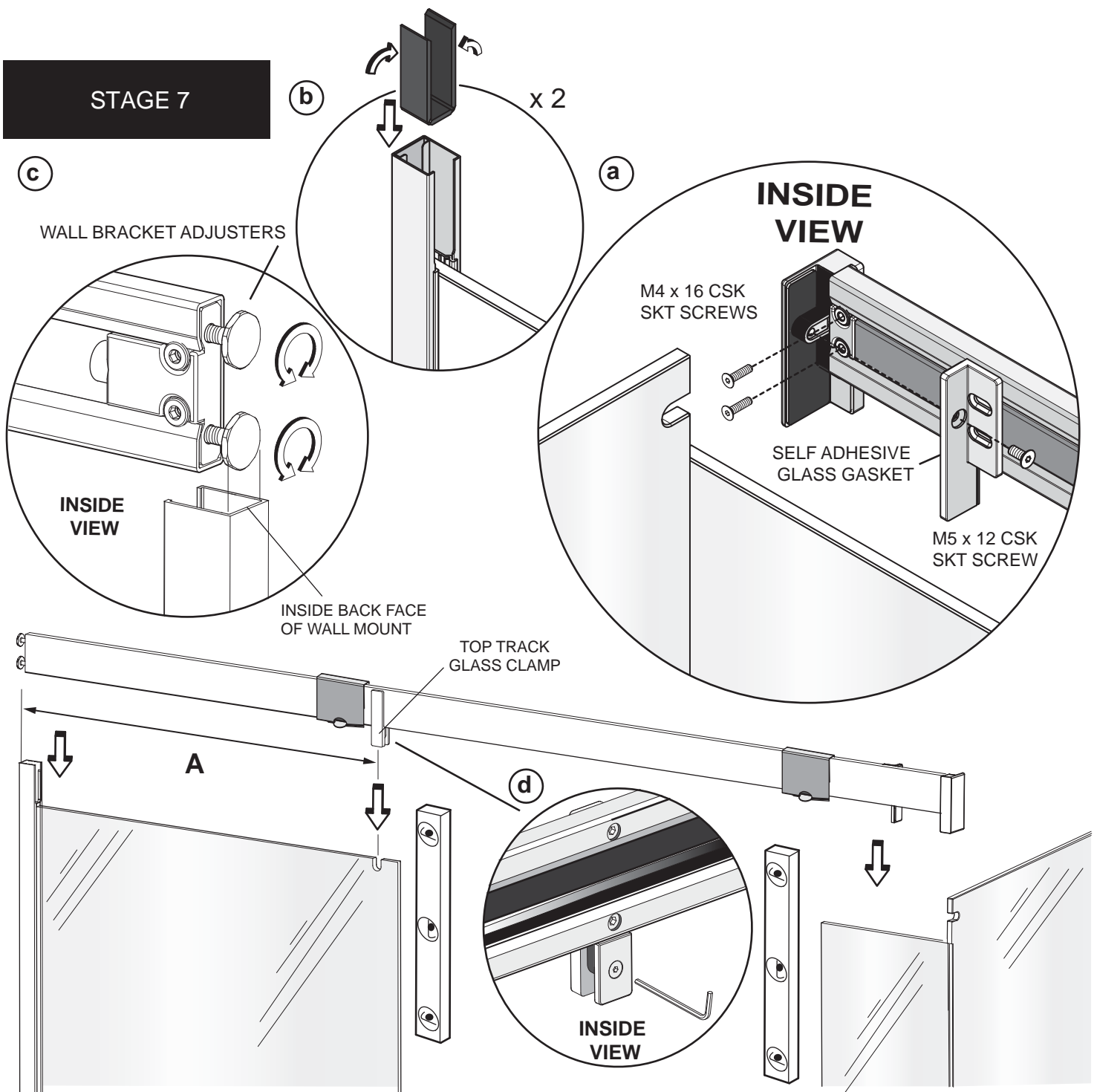
e. Refit the door guide to the threshold extrusion fitting one leg of the door guide underneath the fixed glass panel.

Set the distance between the fixed glass panel and closure glass panel for the model dimensions shown above.

Before securing the door guide apply a small bead of silicon to the end face of the fixed glass panel where it meets the door guide.

Secure the door guide with the No.8 x 9.5 Pan head screws.

STAGE 7



This stage is describing the fitting of the Top Track.

a. Remove the corner bracket back plate from the pre-assembled corner bracket at the end of the top track by removing the M4 x16 CSK SKT screw and the M5 x 12 CSK SKT screw using the allen key provided. Retain components for re-assembly to top track when in position.

b. Fit the black wall mount Infills into the top of the fixed panel wall mount so that it fits down to the top edge of the glass panel.

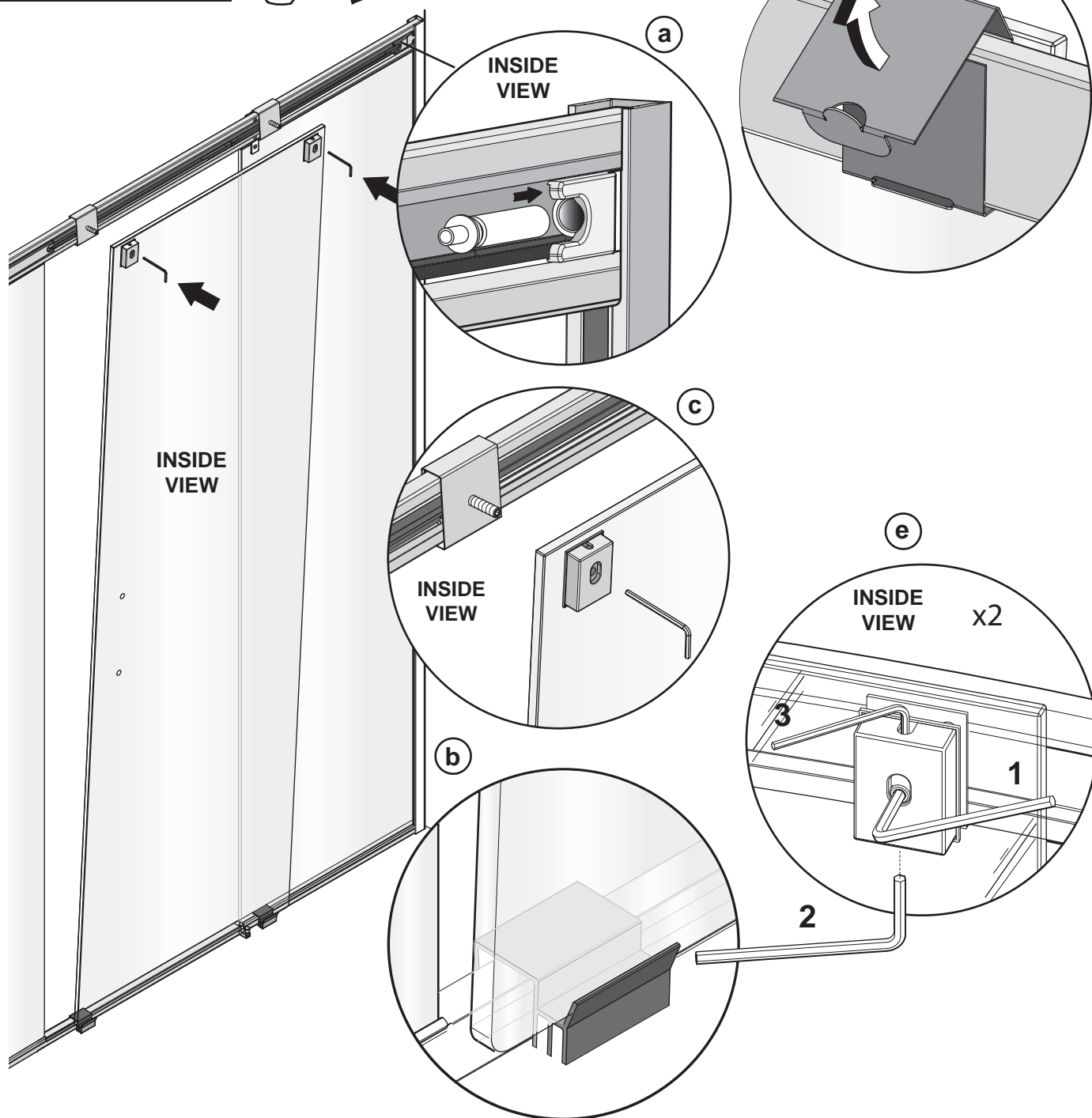
c. Measure dimension **A** between the inside back face of the wall mount and centre of the cut out in the fixed glass panel. Adjust the wall bracket adjusters so that the distance between the centre of the top track glass clamp and back face of the wall bracket adjusters is equal to dimension **A**. **IMPORTANT - Both wall bracket adjusters need to be adjusted in/out to the same depth relative to each other, align the flat edges of the adjusters vertically to slot into the wall mount.**

d. Loosen the fixing screw on the inside of the top track glass clamp before fitting the top track. Carefully fit the top track into the top of the wall mount with the wall bracket adjusters slotting down the back face of the wall mount and the top track glass clamp into the glass cut out. Check that the end of the top track is flush with the inside face of the side panel glass.

a. Before re-fitting the corner bracket back plate remove the film liner from the self adhesive gaskets on the inside of the bracket plate. Re-fit the back plate using the M4 x16 CSK SKT screws and the M5 x 12 CSK SKT screw, apply pressure to the from the outside of the corner bracket towards the side panel, whilst gradually tightening all the screws.

d. Tighten the top track glass clamp.

STAGE 8



This stage is describing fitting of the Door Panel.

a. Fit the top track door dampers into the wall mount brackets at each end of the top track.

b. Important - Fit the plastic threshold protectors to the Threshold track at either side of the Door opening.

c. Load the door glass firstly onto the threshold protectors and door guide and then carefully guide the door up to the door roller threads and wind them through the door roller blocks fixed to the glass.

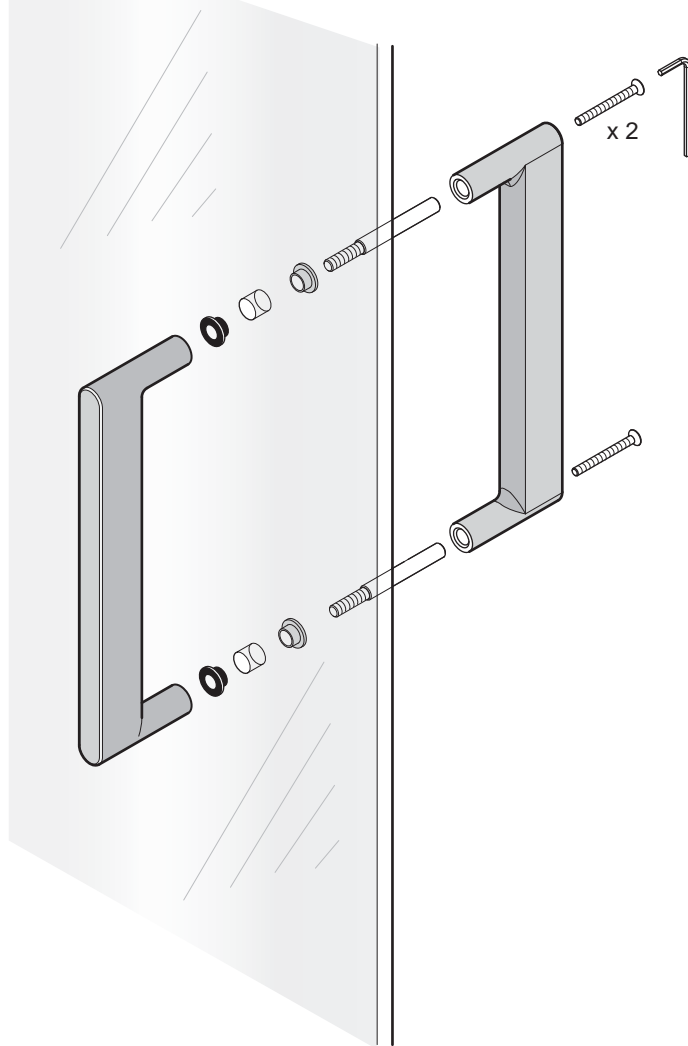
d. Remove both the cardboard top track door roller guides by pulling the tabs and unfolding them away from the top track.

e. Adjust the door panel if required so that it runs parallel to the door opening by adjusting the Roller blocks on the inside of the door.

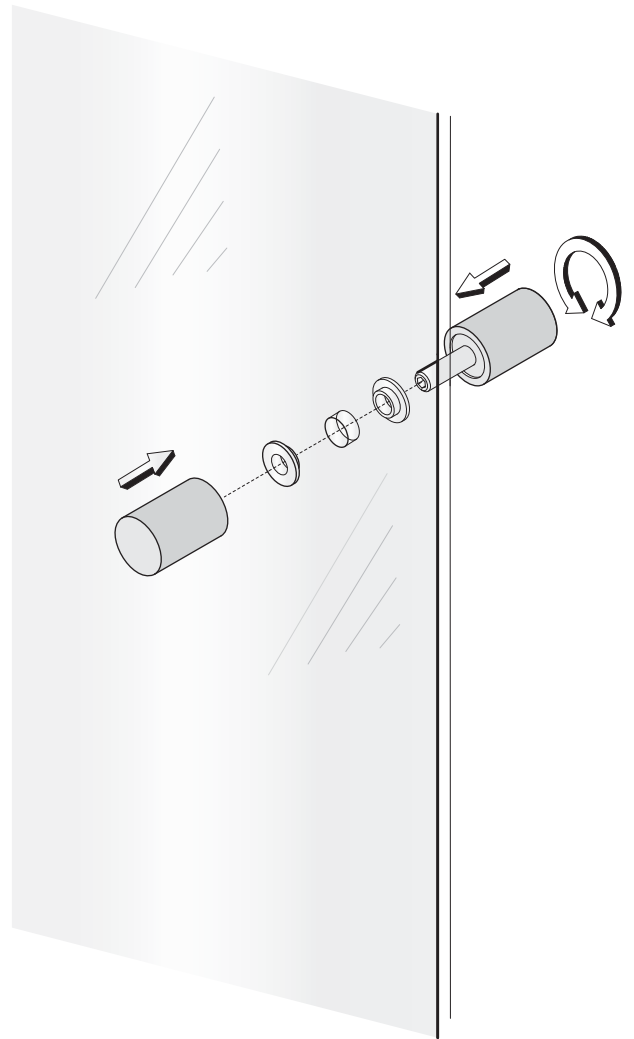
To adjust the door away from the top track rotate the central set screw **E1** clockwise using the 4mm allen Key. To adjust the door to the top track, rotate the central set screw **E1** anti-clockwise. **c.** The door glass can also be raised or lowered by the adjustment screw **E2** in the underside of the roller block using the 4mm allen key supplied. Rotate clockwise to lower the door, rotate anti-clockwise to raise the door. **c.** Lock the adjustment with the set screw **E3** in the top of the roller block using the 2.5mm allen key supplied.

STAGE 9

LINEAR BAR HANDLE



SINGLE STRAIGHT HANDLE



This stage is describing the fitting of the Door Handle

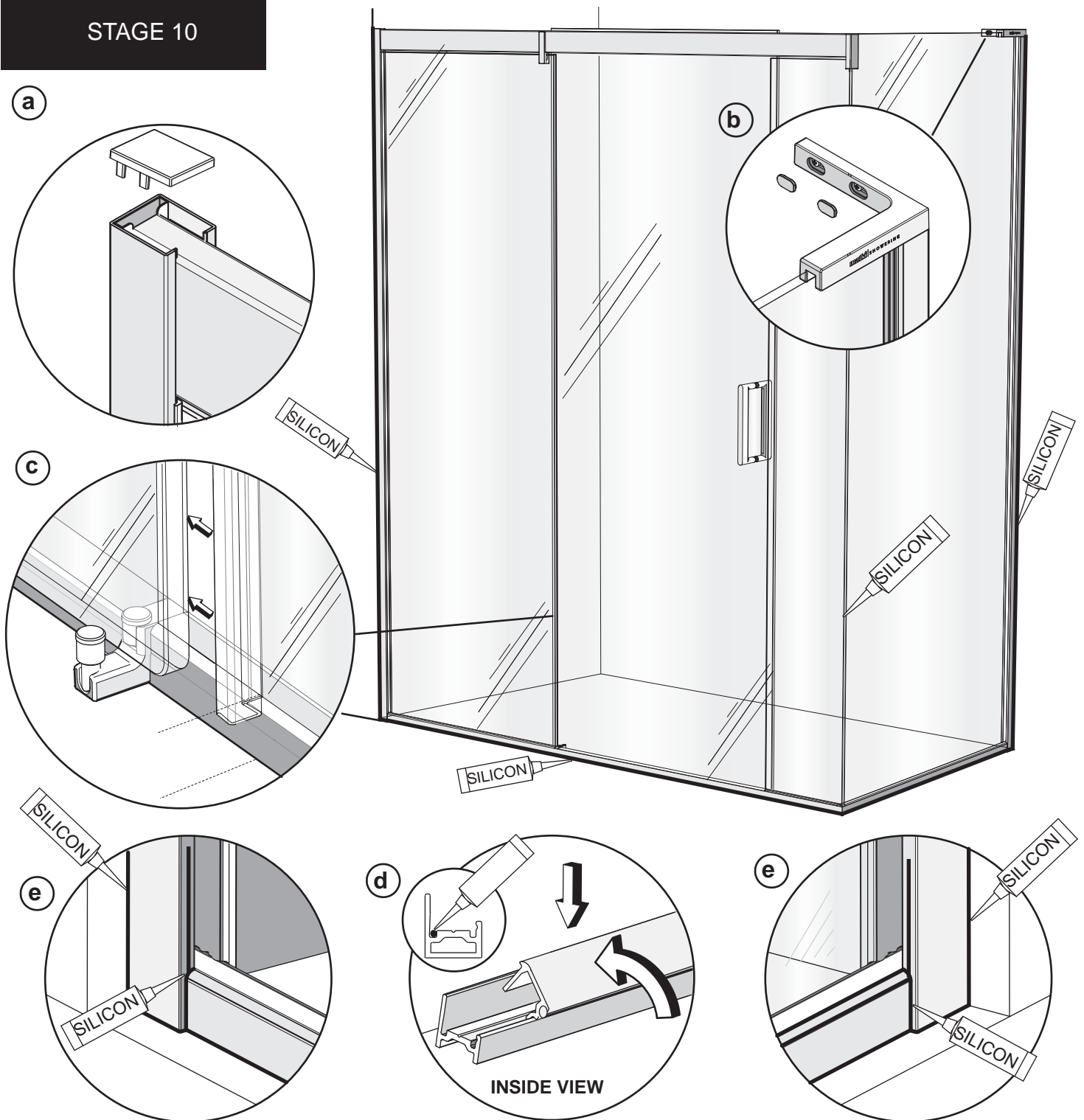
Linear Bar handle

Disassemble the handle by unscrewing the 2 x M4 x 40 Csk socket screws and removing the back handle. Place the 4 x black glass washers either side of the 2 holes in the Door glass. Carefully fit the front Handle and Handle connectors through the 2 holes in the Door glass. Fit the back Handle onto the Handle connectors and fix into position by fitting the 2 x M4 x 40 Csk socket screws.

Single Straight handle

Fit the Door handles to the glass ensuring that the white handle washers are placed in the hole in the glass between the handles and the door glass, screw together until tight.

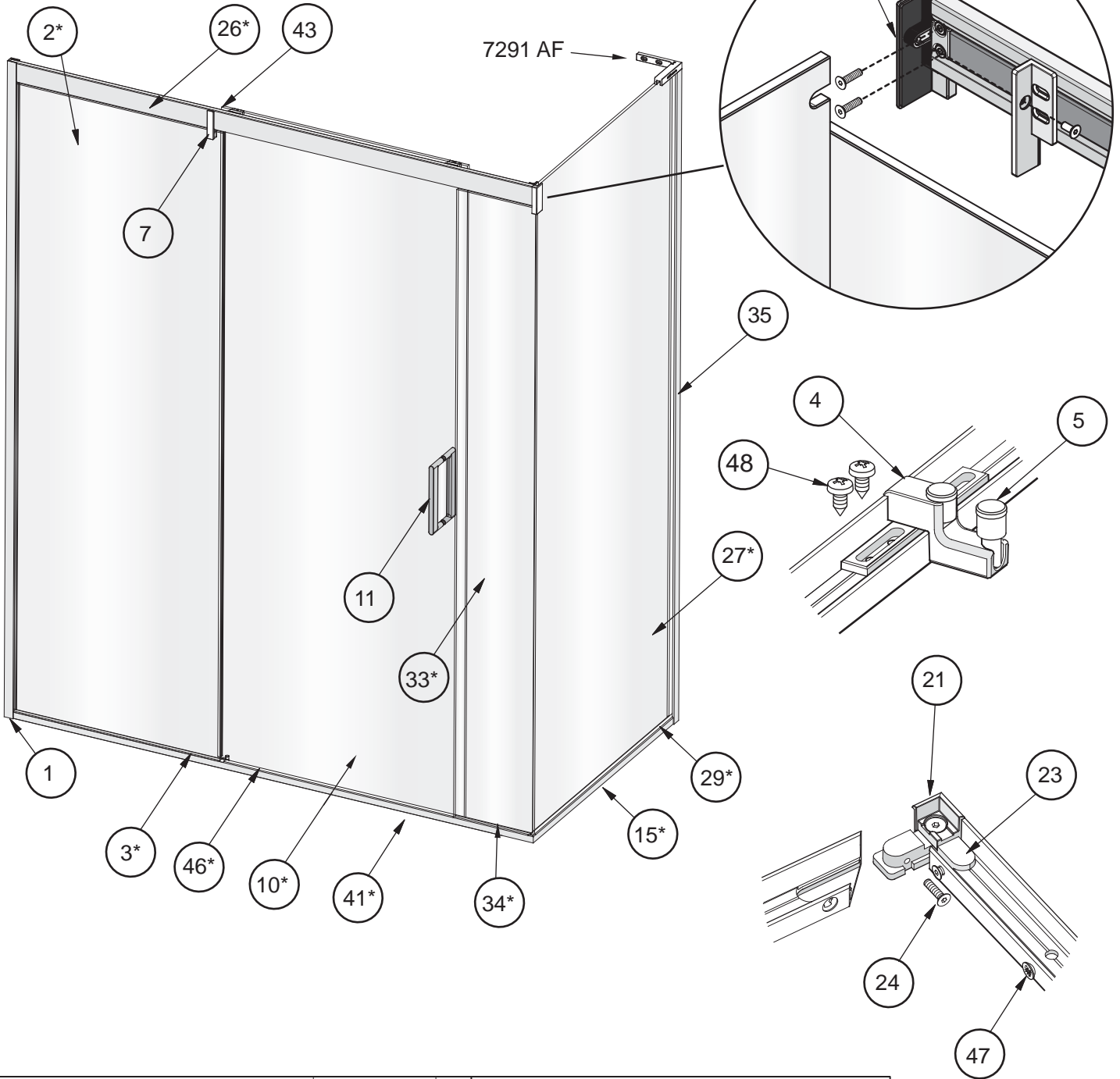
STAGE 10



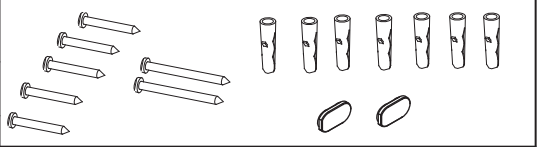
This stage is describing fitting the Caps and Seals

- Fit the wall mount top cap.
- Fit the 2 x wall bracket screw covers into the adjustment slots in the side panel wall bracket.
- Fit the door vertical seal to the edge of the door glass behind the fixed glass panel. The seal should fit down to the inside top face of the fixed panel frame when the door is in the closed position. Additional vertical seals are supplied that can also be fitted to the fixed panel glass and closure panel glass should they be required, subject to position of shower head and use.
- Apply a bead of silicon along the inside length of the threshold in the recess at the front of the track. Clip the threshold cover into the threshold extrusion by hooking the inside leg down first then pushing the front until the cover snaps into position. The threshold cover should fit tightly between the closure panel glass and the door guide.
- Cut 7mm off the end of the spare Silicon sealant nozzle provided in the kit of parts. Using this nozzle apply a very thin bead of silicon along the full length of the inside joint where the side panel and front panel meet. Apply a thin bead of silicon along the bottom edge of both the wall mounts and all the way up the outside of both the wall mount extrusions between the wall mounts and the tiles. Apply a thin bead all the way along the threshold between the extrusion and the finished floor surface/tray also 50mm up the joint between the Wall mount and clip in seal. Continue around the joint where the threshold joins the wall mounts. Masking tape can be used to achieve a tidy edge to the sealant. Remove the masking tape immediately and allow the silicon to cure for 24 hours before using the shower.

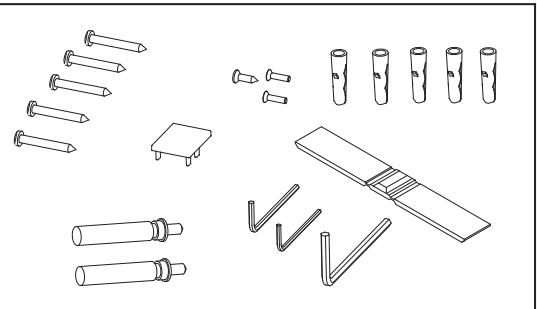
PARTS LIST



WALL MOUNT & TOP BRACKET PARTS KIT	6178 AF	
No.8 X 32 PAN HEAD SELF TAP SCREW	1471 A SILVER	5
WALL PLUG	1818 AF	7
WALL BRACKET SCREW CAPS	5579 A SILVER	2
No.8 X 50 PAN HEAD SELF TAP SCREW	1492 A SILVER	2



EPSC PARTS KIT	6106 AF	
No.8 X 32 PAN HEAD SELF TAP SCREW	1471 A SILVER	5
WALL PLUG	1818 AF	5
WALL MOUNT TOP CAP	6662 A SILVER	1
DAMPER	1340 AF	2
WALL MOUNT INFIL	6659 BLACK	1
2.5mm ALLEN KEY	1168 AF	1
4mm ALLEN KEY	1166 AF	1
2mm ALLEN KEY	1286 AF	1
M3 x 12 CSK SOCKET HEAD CAP SCREW	1353 A SILVER	2
No. 6 X 13 CSK HEAD SELF TAP SCREW	1431 A SILVER	1



PARTS LIST

* ITEM VARIES DEPENDING ON MODEL

PARTS LIST				
ITEM	DESCRIPTION	PART NUMBER	QTY	LENGTH
	1 WALL MOUNT	5714 ASSEMBLY	1	2050.000 mm
*	2 FIXED GLASS PANEL			
	MODEL 1200 - 1475	7982M CLEAR/PLAIN	1	523mm
	MODEL 1500-1800	7983M CLEAR/PLAIN	1	673mm
*	3 FIXED PANEL HORIZONTAL			
	MODEL 1200 - 1475	5715 A SILVER	1	523mm
	MODEL 1500 - 1800	5716 A SILVER	1	673mm
	4 GUIDE BLOCK	5768 A SILVER	1	
	5 PTFE GUIDE	6989 AF	2	
	6 M4 X 10 CSK SKT HEAD SCREW	1354 A SILVER	1	
	7 FIXED PANEL GLASS CLAMP FRONT	5761 A SILVER	1	
	8 FIXED PANEL GLASS BUSH	5763 BLACK	1	
	9 FIXED PANEL GLASS CLAMP BACK	5762 A SILVER	1	
*	10 DOOR PANEL			
	MODEL 1200 - 1475	7980 M CLEAR/PLAIN	1	620mm
	MODEL 1500 - 1800	7981M CLEAR/PLAIN	1	770mm
	11 LINEAR BAR HANDLE	6185 AF	1	
	12 WALL MOUNT BRACKET	5670 A SILVER	2	
	13 WALL BRACKET FIXING	5903 AF	6	
	14 WALL MOUNT ADJUSTER	8758 AF	2	
*	15 LH SIDE PANEL LOWER HORIZONTAL	SPECIFY MODEL SIZE	1	
*	16 RH SIDE PANEL LOWER HORIZONTAL	SPECIFY MODEL SIZE	1	
*	17 BOTTOM TRACK GUIDE + INFILL 1500-1800 MODEL	8661 A SILVER + 6669 WHITE	2	
*	18 BOTTOM TRACK GUIDE + INFILL 1200-1475 MODEL	8660 A SILVER + 6668 WHITE	2	
*	19 TOP TRACK INFIL MODEL 1200	4603 BLACK	2	
*	20 TOP TRACK INFIL MODEL 1500	4601 BLACK	2	
*	21 LH INLINE CORNER CAP	6044 A SILVER	1	
*	22 RH INLINE CORNER CAP	6068 A SILVER	1	
	23 LOWER HORIZONTAL CORNER BRACKET	5767 A SILVER	1	
	24 M3 x 12 CSK SKT	1353 A SILVER	2	
	25 TOP TRACK INFIL STOP	5772 BLACK	4	
*	26 TOP TRACK	SPECIFY MODEL SIZE	1	
*	27 SIDE PANEL	SPECIFY MODEL SIZE	1	
*	29 SIDE PANEL HORIZONTAL	SPECIFY MODEL SIZE	1	
*	30 TOP TRACK CORNER BRACKET ASSY LH CORNER	7326 AF	1	
	30 TOP TRACK CORNER BRACKET ASSY RH CORNER	7327 AF	1	
*	33 CLOSURE FIXED PANEL	SPECIFY MODEL SIZE	1	
*	34 CORNER CLOSURE PANEL HORIZONTAL	SPECIFY MODEL SIZE	1	
	35 SLIDER SIDE PANEL WALL MOUNT	5726 ASSEMBLY	1	2038.000 mm
	36 UNIVERSAL L BRACKET	7291 AF	1	
*	41 LH CORNER LOWER HORIZONTAL	SPECIFY MODEL SIZE	1	
*	42 RH CORNER LOWER HORIZONTAL	SPECIFY MODEL SIZE	1	
	43 FIXED PANEL VERTICAL GASKET	2308 CLEAR	3	1963mm
*	44 INSIDE TOP TRACK COVER PLATE	SPECIFY MODEL SIZE	1	
*	45 CORNER THRESHOLD COVER MODEL 1200 - 1475	5815 A SILVER	1	574mm
*	46 CORNER THRESHOLD COVER MODEL 1500 - 1800	5816 A SILVER	1	724mm
	47 NO.6 x 13 CSK SELF TAP SCREW	1431 A SILVER	2	
	48 NO.8 x 9.5 PAN SELF TAP SCREW	1420 A SILVER	2	
	49 WALL MOUNT EXTRUSION STOP	6049 A SILVER	2	
	50 M4 x 6 SOCKET BUTTON HEAD SCREW	1518 A SILVER	2	
	51 WALL MOUNT EXTRUSION STOP NUT	6085 A SILVER	2	
	52 SS WALL MOUNT SEAL	2388 CLEAR	2	
	53 EAUZ MODIFIED SOCK SET + ST.ST BEARING	8580 AF	2	

MAINTENANCE

Matki Glass Guard Easy Clean Surface Protection (optional) and General Cleaning Guide

Cleaning Instructions

Matki Glass Guard allows water to form minute beads which easily trickle off the surface of the glass. This makes the glass easier to clean - the glass does not need to be cleaned as frequently, but it does require occasional maintenance. As less cleaning is required the use of detergents can be minimised thus helping to protect the environment. The lifespan of the Matki Glass Guard is dependant on the frequency of use of the shower and the degree of water hardness.

The combination of alkaline materials and humidity affects glass in an extremely aggressive way. Do not use bleach, alkaline, acid-based or aggressive and abrasive glass cleaners, detergents or household cleaning products on the glass or frames.

We recommend that glass is washed down with clean water and a soft clean cloth or sponge and dried off with a microfibre cloth.

The special coating is only present on the inside of the glass.

Matki Glass Guard is guaranteed for 2 years provided that the guidelines and cleaning instructions are followed.

Aluminium and Chrome parts should be cleaned with a mild non scratch household cleaner and a soft cloth or sponge.

Do not use acidic-based descaler products or products which are unsuitable for cleaning enamelled surfaces, including abrasive cleaners or cleaners containing bleach or solvents, as the products will effect the anodised framework. Under no circumstances use cleaners with a pH level exceeding 8.

Matki does not recommend the use of 'Leave-on' shower cleaners on Matki Glass Guard Products.

Water Softeners and Glass Guard - Certain types of water softeners increase the alkalinity of the water due to a carry-over of Chloride during re-generation which can cause aggressive water spots on both untreated and Glass Guarded glass. If using a water softener we recommend a two-cylinder machine with automatic re-generation instead of a timer.

If a single-cylinder water softener with timer is already installed it is recommended that after each shower excess water is removed from the glass with a squeegee or with a micro-fibre cloth.



Wash down with clean warm water and a soft clean cloth or sponge.



Do not use bleach, alkaline or acid-based, aggressive or abrasive cleaning products.

Flash Bathroom Spray or Cif Bathroom Spray can be used on Matki Products.

Various specialist cleaning and glass dressing products are available from Ritec International Ltd Tel. 020 8344 8210 or www.ritec.co.uk.

Matki Plc is not connected with Ritec International Ltd in any way and the contact details are supplied for information only. Read manufacturers label before using any cleaning materials.

IMPORTANT

Matki Glass Guard is guaranteed for 2 years. It is essential that the cleaning instructions are followed in order to maintain the hydrophobic properties of the glass coating. In the event of the failure to comply in any way with these instructions, any warranty or guarantee will be null and void.

MATKI PLC, CHURCHWARD ROAD, YATE, BRISTOL, BS37 5PL
TELEPHONE:01454 328816 (AFTER SALES) FAX:01454 328821 EMAIL: techsupport@matki.co.uk



matki | SHOWERING

13

Matki PLC, Churchward Road, Yate,
Bristol BS37 5PL

EN 14428:2008+A1