

matki | S H O W E R I N G

EAUZONE PLUS EPR - HINGED DOOR FROM WALL

INSTALLATION

PARTS LIST

BRITISH PATENT NO. 2470778



EPR

MATKI PLC, CHURCHWARD ROAD, YATE, BRISTOL, BS37 5PL
TELEPHONE:01454 328816 (AFTER SALES) FAX:01454 328821 EMAIL: techsupport@matki.co.uk

IMPORTANT

TOOLS REQUIRED

Masonry Drill bit 6mm, Tape Measure, Screw Drivers, Safety Glasses, Electric Drill, Level, Pencil, Adjustable Spanners, Non Slip Gloves

Before disposing of carton and/or commencing assembly, please check all the parts to ascertain that none are missing and they are all undamaged. No claim for missing/damaged parts will be accepted once the packing carton has been disposed of and/or assembly has commenced.

In case of query contact your Stockist with details of model number and details of serial number.

PREPARATION IMPORTANT

1. Please read complete installation instructions before fitting for Enclosure and Tray (if fitting).
2. We recommend that two people are available for fitting of Door, stage 5. The **Eauzone Plus** range is **10mm Glass** construction. Large glass panels are very heavy. We recommend the use of Safety glasses and Non slip gloves when handling the glass panels.
3. Ensure that the product can be **fixed** to a **solid masonry wall** or suitable **timber stud work grade C16/C24** in the area behind the Wall frames and Panel fixing brackets.
4. Shower trays or tiled floors **must be absolutely level** where enclosures are fitted
5. If fitting a tray we recommend a **drainage test** is carried out before the tray is tiled in position.
6. The assembly should be installed onto a waterproof wall covering and installed after the Tray and wall coverings are in place. Where Tiling lips are provided Trays should be let into the Wall with the Tiling lip flush with the wall to allow the Tiling to overlap the Tiling lip.
7. Seal between tray and tiles. Remove any excess sealant from the area/joint between the tray and the tiles where the Wall Mount is to be fitted. This will ensure the Wall mount fits correctly to the wall and tray/or tiled floor.

CAUTION: TEMPERED GLASS CANNOT BE CUT, POLISHED METAL AND CHROME CAN BE SCRATCHED. CAREFULLY REMOVE ASSEMBLY FROM CARTON, DO NOT PLACE GLASS ON HARD FLOOR OR EXPOSE EDGES TO IMPACT.

DIMENSIONS

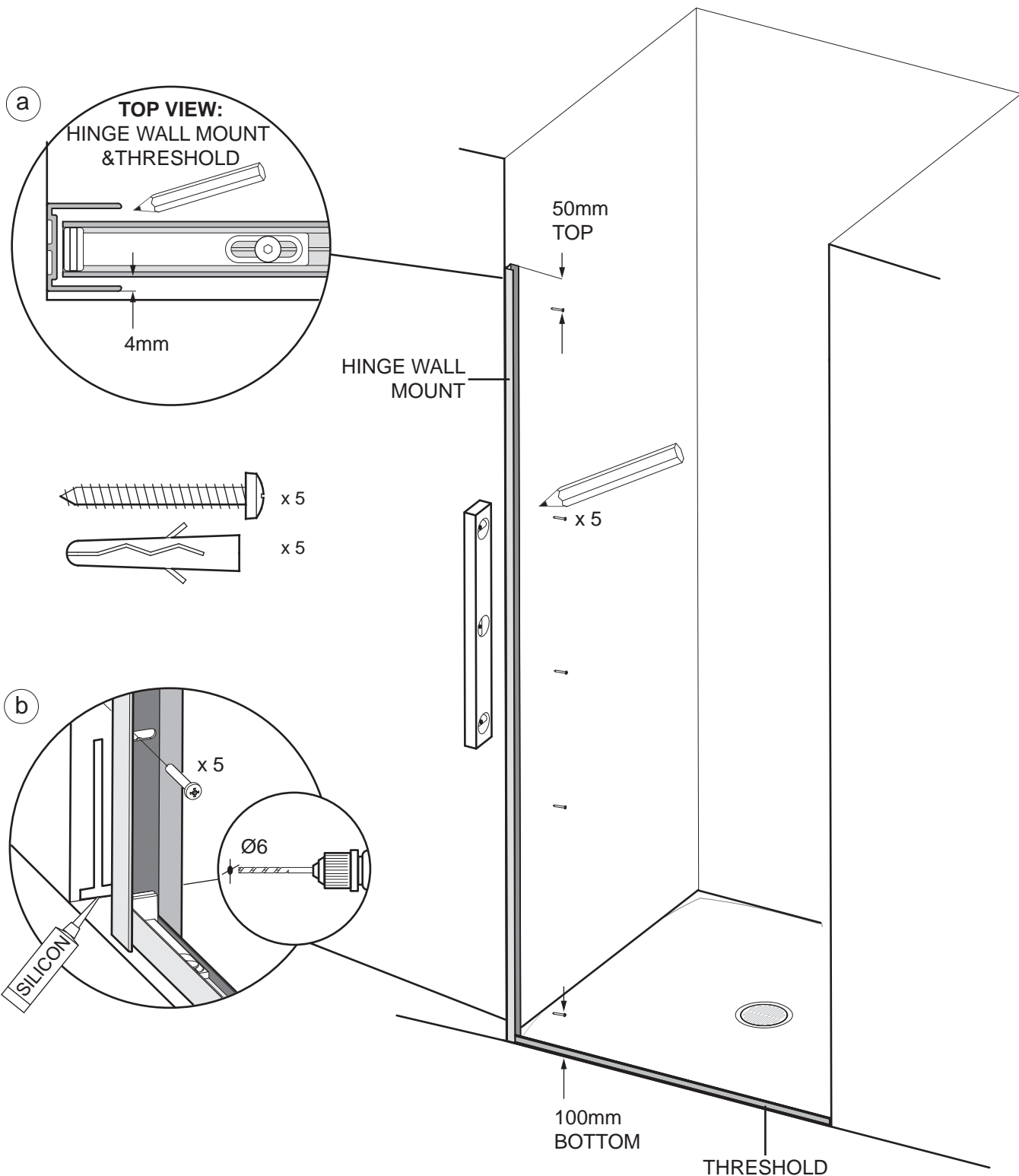
Dimensions are approximate



| MODEL RECESS | A |
|--------------|-----------|
| EPR700 | 675 – 700 |
| EPR760 | 735 - 760 |
| EPR800 | 775 – 800 |
| EPR900 | 875 – 900 |

STAGE 1

IMAGES SHOW LH HINGED DOOR INSTALLATION REVERSE FOR RH.

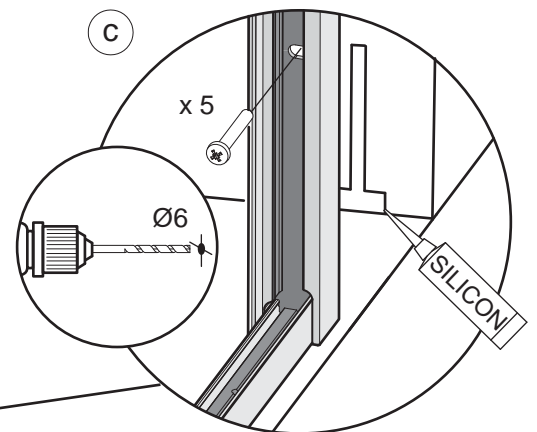
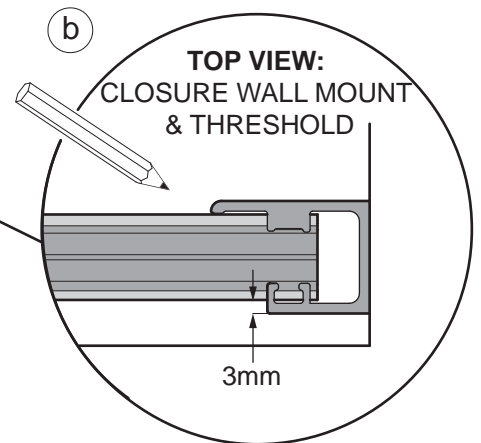
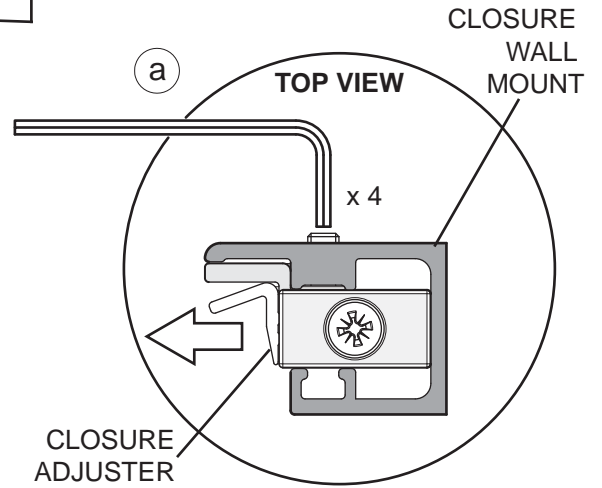
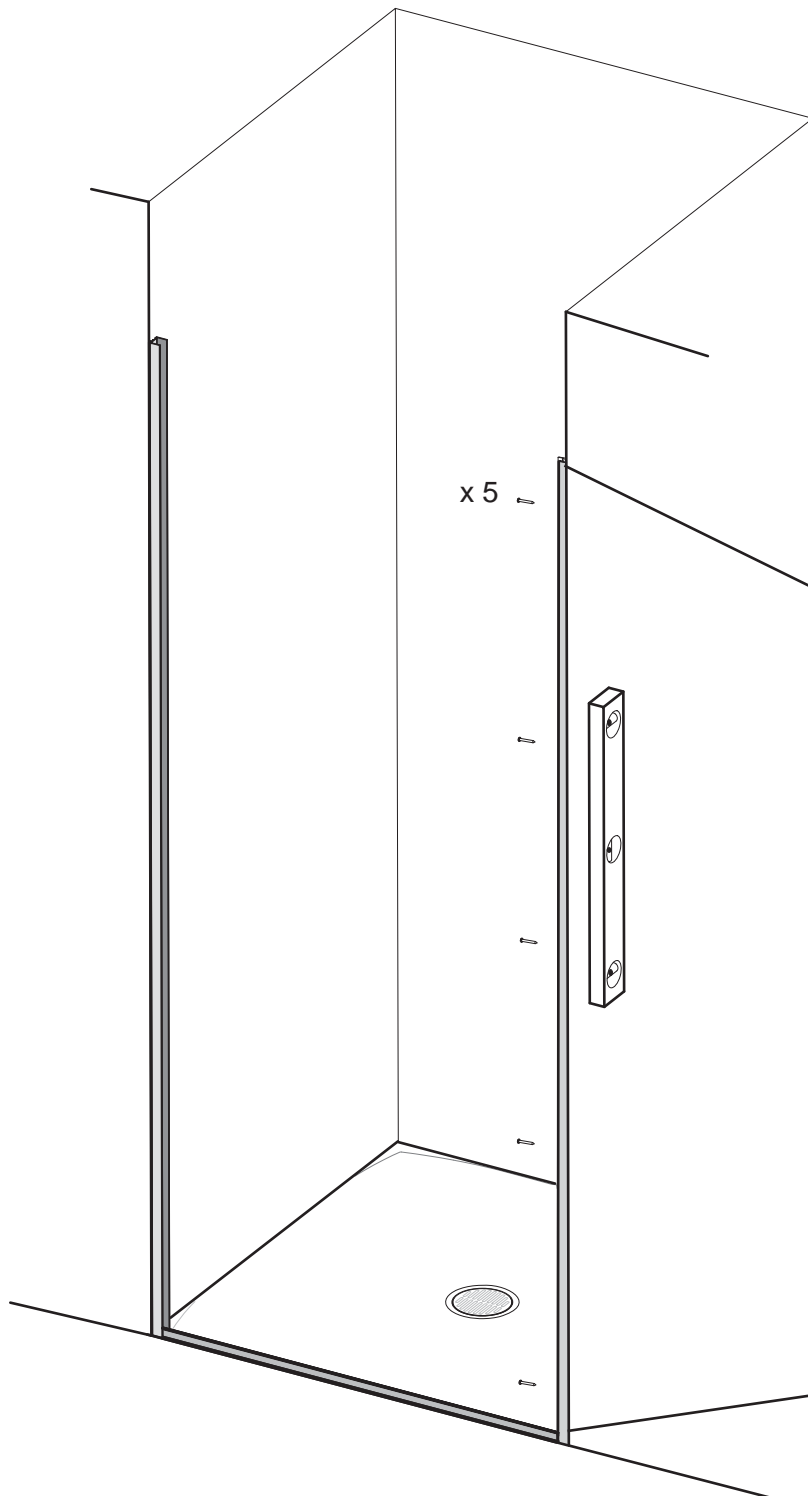
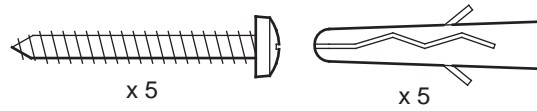


This stage is describing the fitting of the Hinge wall mount

a. Place the Horizontal Threshold into position on tray. (If fitting close to the front edge of the tray take into account that the front face of the Hinge wall mount sits 4mm in front of the Threshold). Position Hinge Wall Mount on to Wall over Threshold (Wall Mount has a top and bottom, the top slotted hole should be 50mm down from top) Plumb the Wall Mount for Upright and mark the fixing holes in the centre of the slots.

b. Drill 5 x fixing holes in the wall and insert Wall plugs. Clean area and apply Silicon Sealant to the area behind the Wall mount between the tray and tiles and 100mm up the Wall, central to the width of the Wall mount. Fit the Wall mount using the No.8 x 32mm Pan Head Screws

STAGE 2



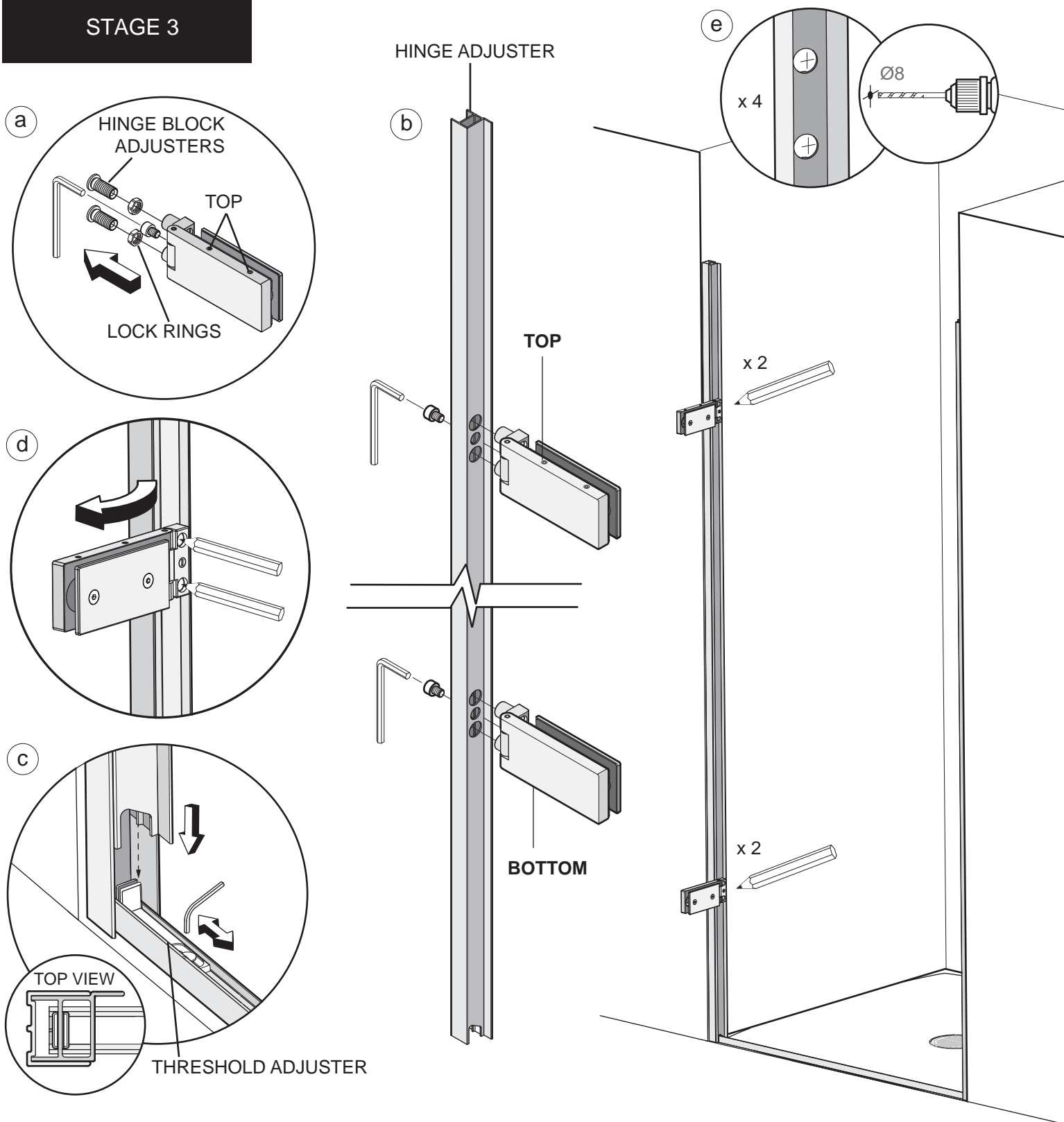
This stage is describing the fitting of the Closure wall mount.

a. Separate the Closure wall mount from the Closure adjuster column by loosening the 4 x Socket set screws down the length of the Closure wall mount.

b. Position the Closure Wall Mount on to the Wall over the Threshold. Plumb the Wall Mount for Upright and mark the fixing holes in the centre of the slots.

c. Drill 5 x fixing holes in the wall and insert Wall plugs. Clean the area and apply Silicon Sealant to the area behind the Wall mount between the tray and tiles and 100mm up the Wall, central to the width of the Wall mount. Fit the Wall mount using the No.8 x 32mm Pan Head Screws

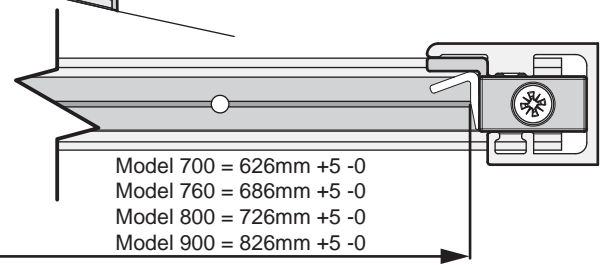
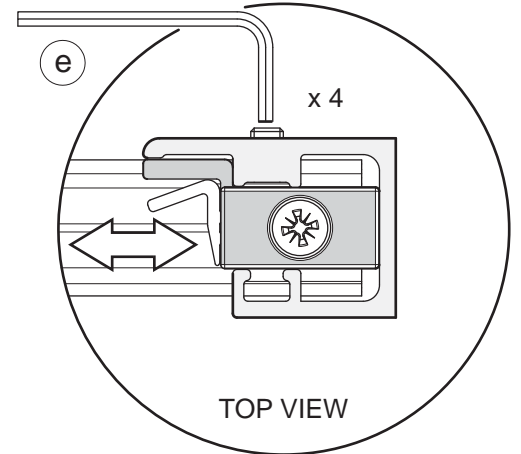
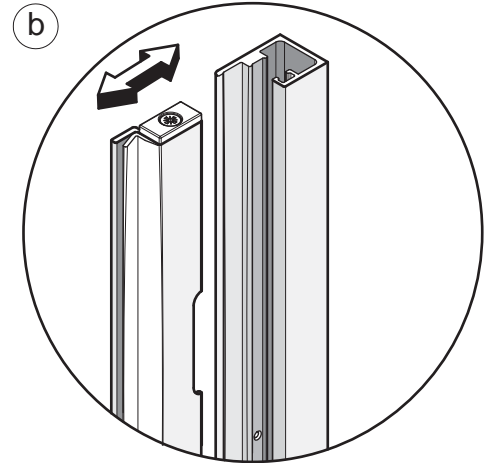
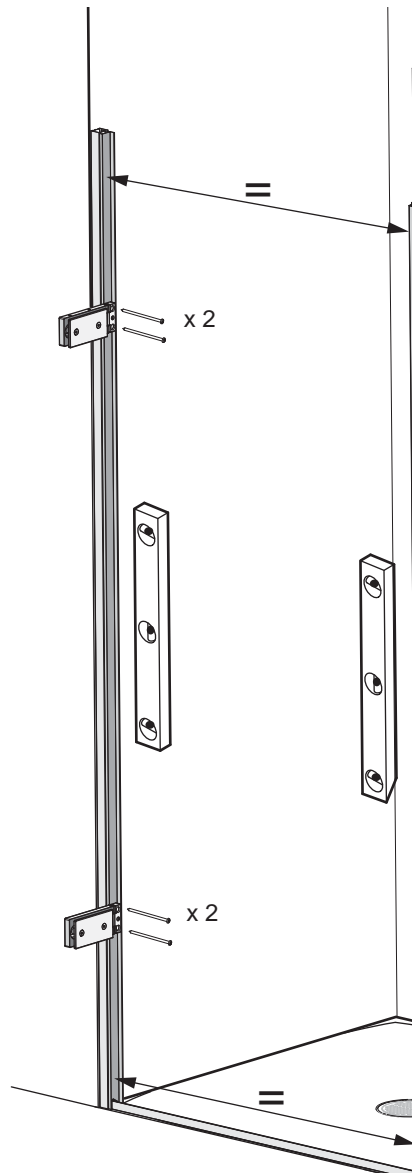
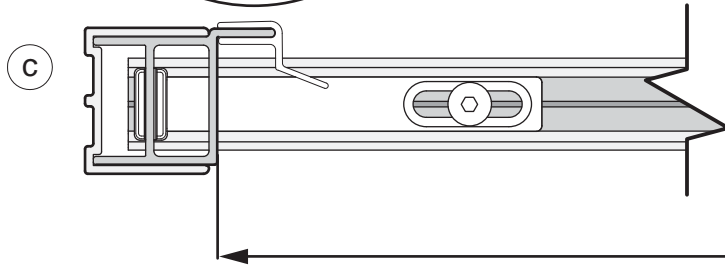
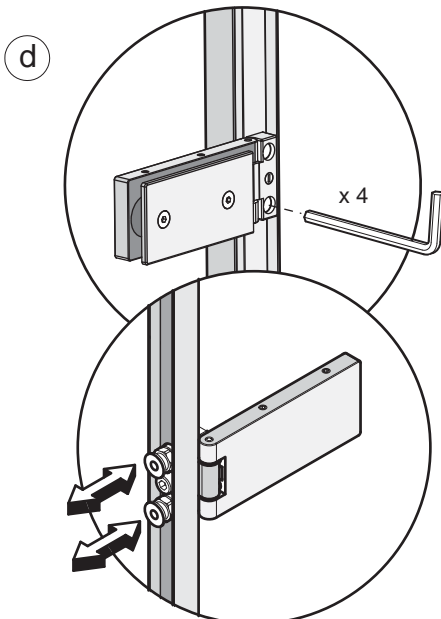
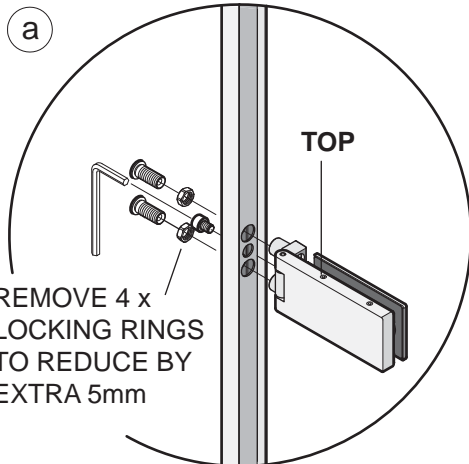
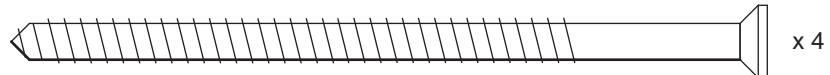
STAGE 3



This stage is describing the fitting of the Hinge adjuster column.

- a.** Remove from both of the Hinges and set aside the 4 x Hinge block adjusters and 4 x Adjuster lock rings.
- b.** Fit the Hinges to the Hinge adjuster column using the M8 x 10 Socket cap screws. The Hinges are handed top and bottom, ensure the Socket set screws are visible on the top of the top Hinge and on the underside of the lower Hinge.
- c.** Fit the Hinge adjuster column into the Hinge wall mount. To fix the Threshold into position ensure the Threshold adjuster fits around the leg in the centre of the Hinge adjuster column as shown with the dashed arrow. If adjustment is needed loosen the Socket set screw in the Threshold slightly to allow the Threshold adjuster to move, re-tighten once in position.
- d.** Rotate the hinges into the open position. Carefully mark the centre of the holes for the Hinge fixings onto the wall. Remove the Hinge adjuster column and set aside.
- e.** Drill and fit the 4 x **No.10** Wall Plugs provided..

STAGE 4



This stage is describing the adjustment of the Wall columns.

a. Remove the Hinge adjuster column and re-fit the 4 x Hinge block adjusters and 4 x Adjuster lock rings to the back of the Hinges. Re-fit the Hinge adjuster column into the Hinge Wall Mount.

b. Re-fit the Closure adjuster column into the Closure wall mount so that it is fully in. Lightly tighten the 4 x Socket set screws in the face of the Wall mount (e).

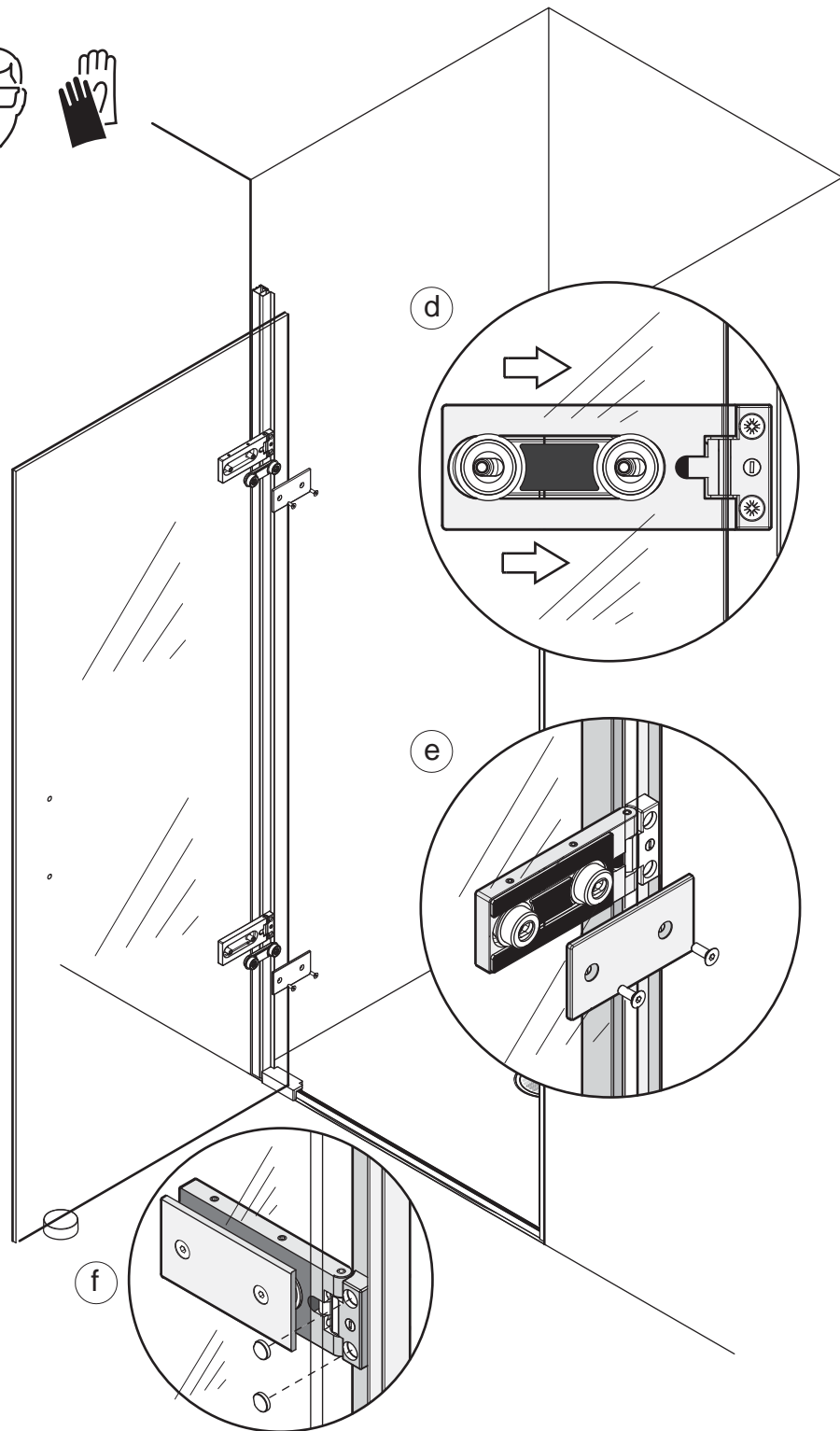
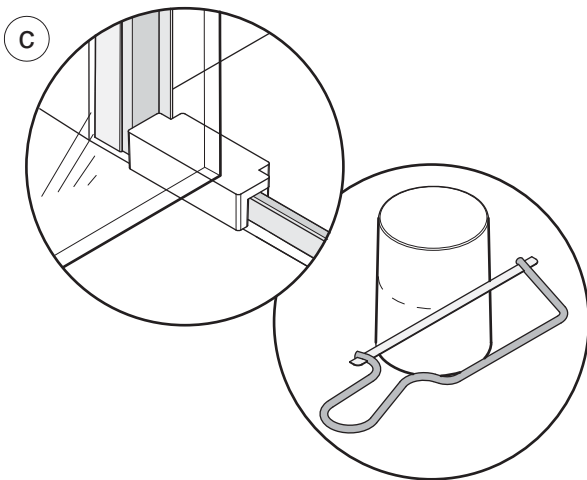
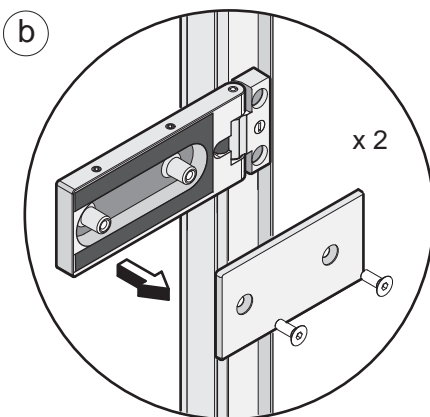
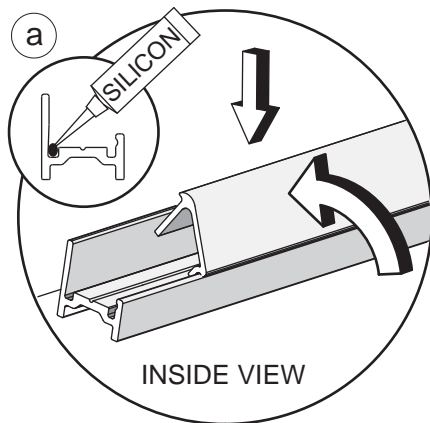
c. Measure the distance of the door opening between the Hinge adjuster column and the flat face of the Door closure seal. This dimension should be within the tolerance of the specified dimensions above. Using a level ensure the Wall adjuster columns are upright.

If adjustment is needed, the columns can be adjusted out by 15mm for the Hinge adjuster and 10mm for the Closure adjuster.

d. To adjust out the Hinge adjuster - Loosen the Csk socket screw in the Threshold adjuster to allow the adjuster to move freely. Using the Allen key provided wind out the Hinge Block adjusters to space off the column. The locking nuts should be removed on adjustment below 5mm (a). Plumb for upright, fit the 4 x No.10 x 100 Wall screws through the hinges to fix in position. Re tighten the Csk socket screw in the Threshold adjuster.

e. To adjust out the Closure adjuster column - Loosen the 4 x Socket set screws adjust out the column, plumb for upright and retighten the Socket set screws (do not over-tighten).

STAGE 5



This stage is describing the hanging of the Door.

a. Apply a bead of Silicon along the inside length of the Threshold in the recess at the front of the track. Clip the Infill track into the threshold extrusion under the Hinge Wall Mount by hooking the inside leg down first then pushing the front until the track snaps into position. The Closure column can be removed to make fitting easier.

b. Remove and set aside the Hinge back plates

c. Place the Door assembly block over the track on the Hinge side of the Door opening. The tubular Door support can be used to support the other end of the door. Measure and mark the Door support so that the top is parallel with the top of the Door assembly block. Cut to size as required using a Hacksaw. Note: Glass can break, please handle carefully and do not place on/against a hard surface.

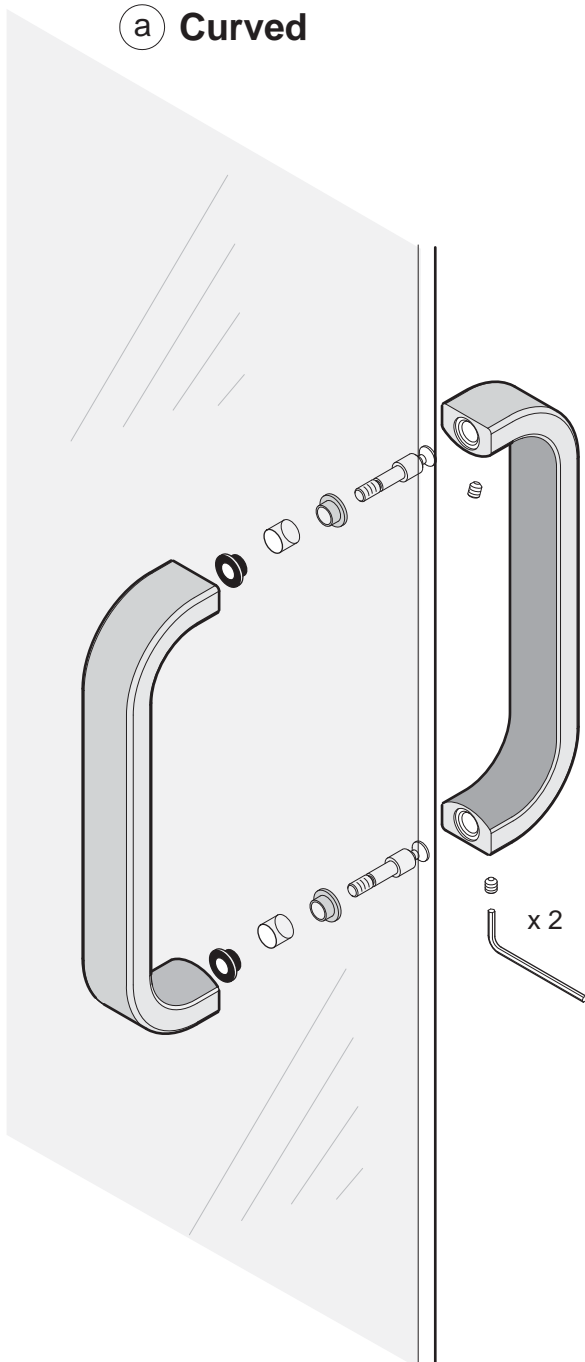
d. We recommend 2 people are available for this stage, and the use of Safety glasses and Non slip gloves when handling glass panels - Carefully lift the Door onto the Hinges, ensuring the Adjustment blocks fitted to the glass are on the Hinge side. The Door support and assembly block will now help to align the Door glass with the Hinges. The door has left to right adjustment, push the Door glass fully towards the hinges (on minimum adjustment)

e. Re-fit the back plates.

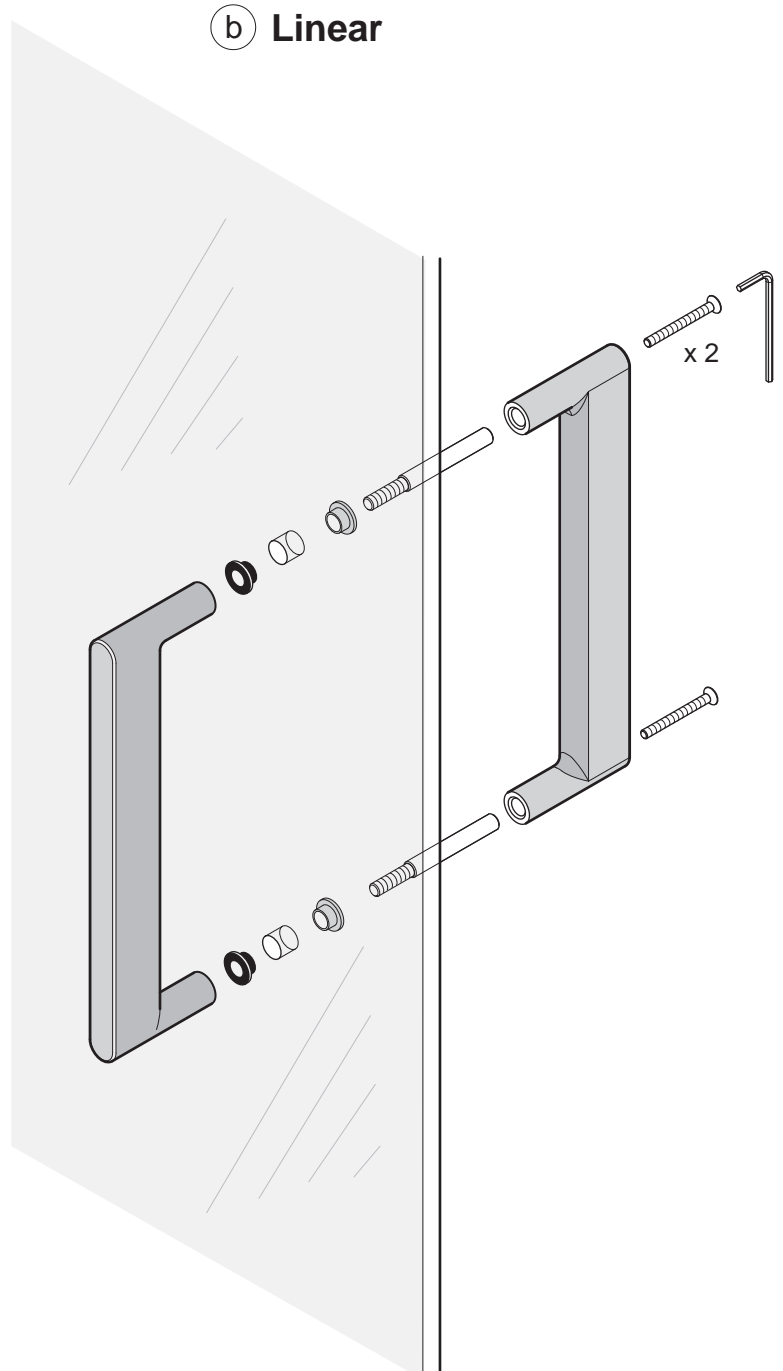
f. Fit the 4 x Hinge screw covers.

STAGE 6

a Curved



b Linear

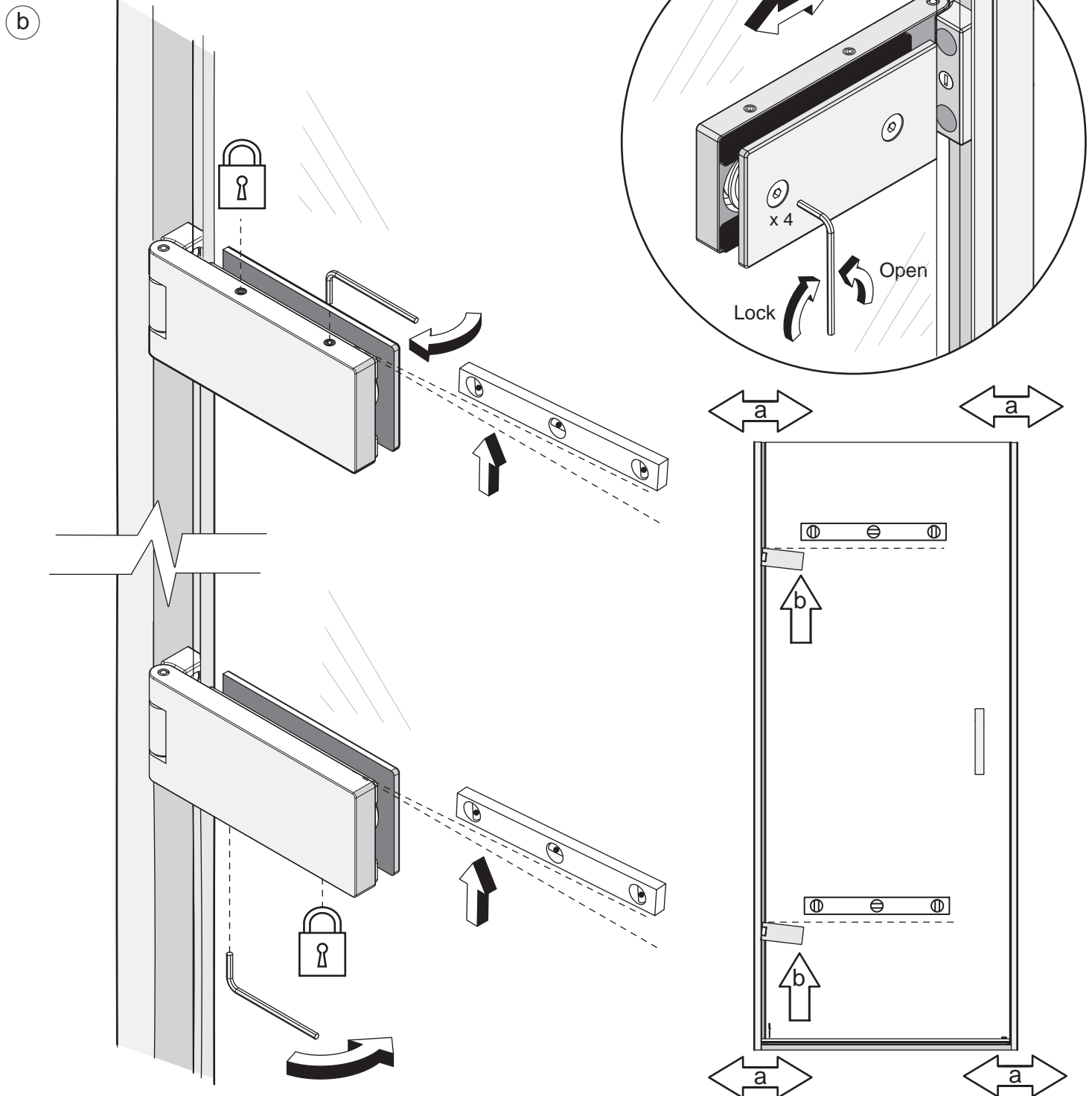


This stage is describing the fitting of the Door Handle

a. Curved Handle only - Disassemble the handle by loosening the 2 x M5 x 6 Socket set screws on the underside of the inside Handle. Unscrew the 2 x Handle connectors. Place the 4 x black glass washers either side of the 2 holes in the Door glass. Place the front Handle up to the outside of the glass screwing through the Handle connectors from the inside to hold the front Handle in position. Once the front Handle is secure, place the back Handle onto the Handle connectors, secure in position by tightening the 2 x Socket set screws on the underside of the back Handle.

b. Linear Handle only - Disassemble the handle by unscrewing the 2 x M4 x 40 Csk socket screws and removing the back handle. Place the 4 x black glass washers either side of the 2 holes in the Door glass. Carefully fit the front Handle and Handle connectors through the 2 holes in the Door glass. Fit the back Handle onto the Handle connectors and fix into position by fitting the 2 x M4 x 40 Csk socket screws.

STAGE 7

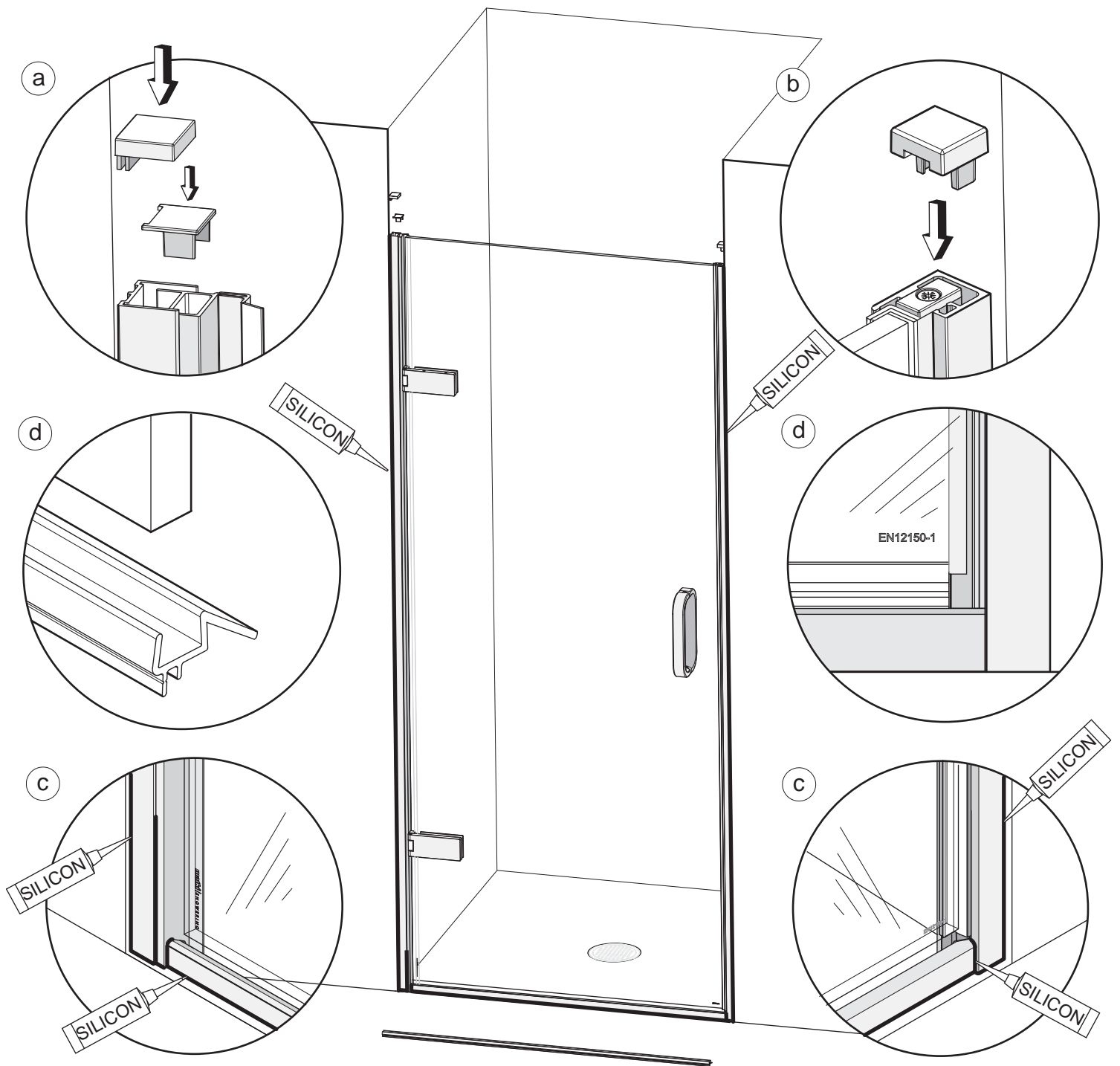


This stage is describing the Door adjustment

a. The Door glass can be adjusted left to right to open/close the distance between the edge of the Door glass and the Closure seal and also the edge of the Door glass and the Hinge seal. Loosen the 4 x M6 x 16 Csk socket screws in the back of the Hinges, adjust the Door left or right. Retighten the 4 x Csk socket screws.

b. To lift the Hinges tighten down the top outer Socket set screw on the upper Hinge and the underside inner Socket set screw on the lower hinge. Lock in position by tightening the top inner Socket set screw and the underside outer Socket set screw on the lower Hinge.

STAGE 8



This stage is describing fitting the Caps and Seals

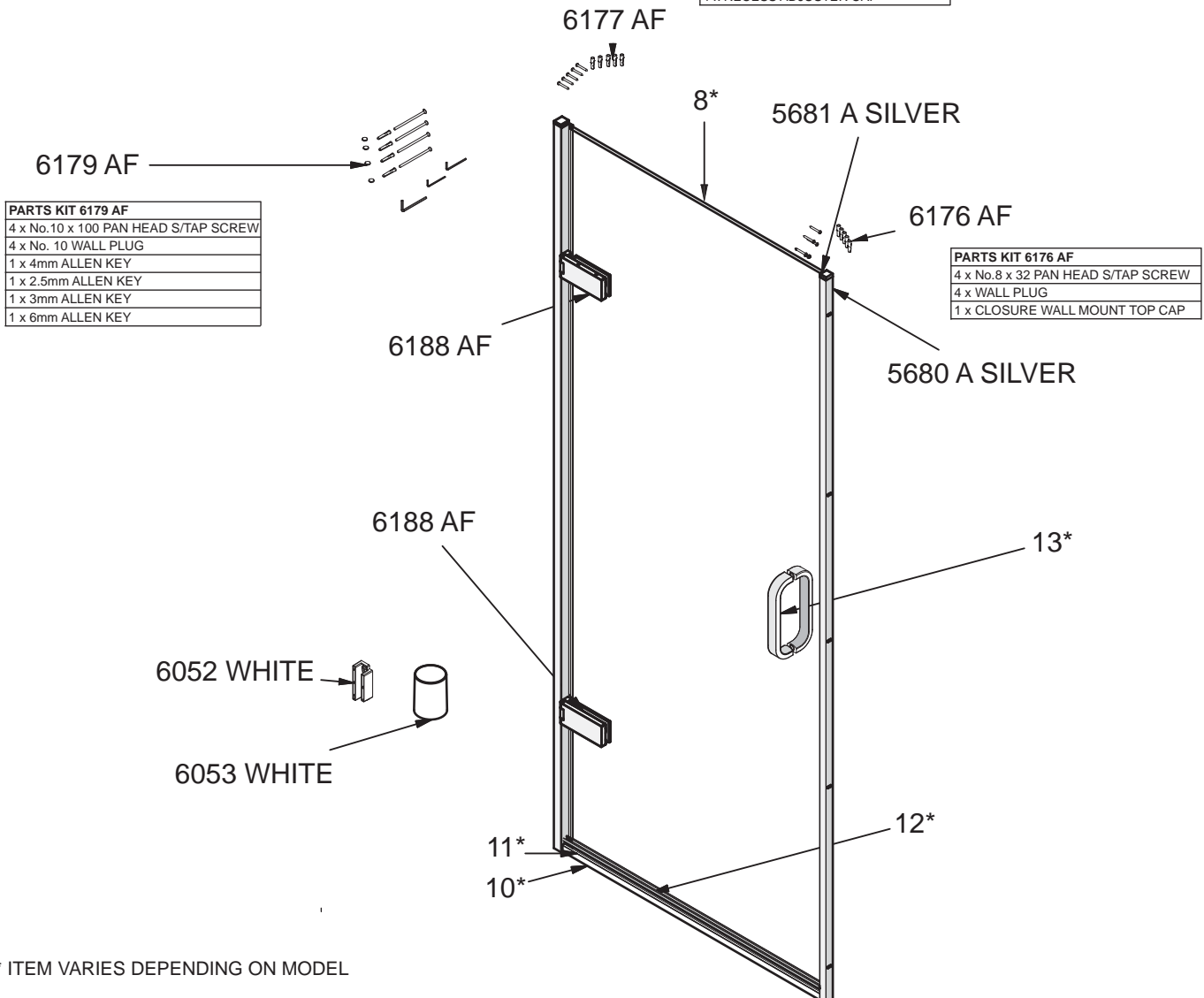
- Push fit the Hinge adjuster top cap onto the top of the Hinge adjuster column. Then fit the Hinge wall mount top cap over the top.
- Push fit the Closure wall mount top cap onto the top of the Closure wall mount, over the Closure adjuster cap.
- Apply a thin bead of silicon along the joint on the outside between the Hinge wall mount and the Adjuster column and 100mm up. Continue the silicon along the bottom edge of both the Wall Mounts and all the way up the outside of both the Wall mount extrusions between the Wall Mounts and the tiles. Apply a thin bead all the way along the Threshold between the extrusion and the Finished floor surface/tray. Continue around the joint where the Threshold joins the Adjuster columns. Masking tape can be used to achieve a tidy edge to the sealant. Remove the masking tape immediately and allow the silicon to cure for 24 hours before using the shower.
- Fit Door Horizontal Seal to underside of Door glass. Some trimming may be required. The seal should fit between the edges of the Hinge Wall Mount seal and Closure Wall Mount seal.

PARTS LIST

| PARTS LIST | | | | |
|------------|--|--------------------|-----|---------|
| ITEM | DESCRIPTION | PART No. | QTY | LENGTH |
| 1* | CLOSURE WALL MOUNT FOR EPR LH | 5680 A SILVER | 1 | 2012 mm |
| 1* | CLOSURE WALL MOUNT FOR EPR RH | 5682 A SILVER | 1 | 2012 mm |
| 2 | CLOSURE H SECTION | 5681 A SILVER | 1 | 1989 mm |
| 3 | WALL CLOSURE SEAL | 6058 CLEAR | 1 | 1989 mm |
| 4 | M4 x 6 CSK SOCKET SCREW | 1274 A SILVER | 4 | |
| 5 | CLOSURE H SECTION BOTTOM CAP | 6069 A SILVER | 1 | |
| 6 | No.6 x 13 CSK S/TAP SCREW | 1431 A SILVER | 2 | |
| 7 | CLOSURE H SECTION TOP CAP | 6070 A SILVER | 1 | |
| 8* | FRAMED RECESS DOOR (700) | 8047 M CLEAR/PLAIN | 1 | 608 mm |
| 8* | FRAMED RECESS DOOR (760) | 8082 M CLEAR/PLAIN | 1 | 668 mm |
| 8* | FRAMED RECESS DOOR (800) | 8048 M CLEAR/PLAIN | 1 | 708 mm |
| 8* | FRAMED RECESS DOOR (900) | 8049 M CLEAR/PLAIN | 1 | 808 mm |
| 10* | 100 RECESS LOWER HORIZONTAL (700) | 5665 A SILVER | 1 | 657 mm |
| 10* | 100 RECESS LOWER HORIZONTAL (760) | 5932 A SILVER | 1 | 717 mm |
| 10* | 100 RECESS LOWER HORIZONTAL (800) | 5666 A SILVER | 1 | 757 mm |
| 10* | 100 RECESS LOWER HORIZONTAL (900) | 5667 A SILVER | 1 | 857 mm |
| 11* | HORIZONTAL CLIP-IN COVER (700 RECESS DOOR) | 5662 A SILVER | 1 | 651 mm |
| 11* | HORIZONTAL CLIP-IN COVER (760 RECESS DOOR) | 6622 A SILVER | 1 | 711 mm |
| 11* | HORIZONTAL CLIP-IN COVER (800 RECESS DOOR) | 5663 A SILVER | 1 | 751 mm |
| 11* | HORIZONTAL CLIP-IN COVER (900 RECESS DOOR) | 5664 A SILVER | 1 | 851 mm |
| 12* | 100 HORIZONTAL DOOR SEAL (700) | 6055 CLEAR | 1 | 650 mm |
| 12* | 100 HORIZONTAL DOOR SEAL (800) | 6056 CLEAR | 1 | 750 mm |
| 12* | 100 HORIZONTAL DOOR SEAL (900) | 6057 CLEAR | 1 | 850 mm |
| 13* | BAR HANDLE LINEAR | 6185 AF | 1 | |
| 13* | BAR HANDLE CURVED | 6184 AF | 1 | |
| 17 | HINGE EXTRUSION STOP | 6050 A SILVER | 1 | |
| 18 | No.8 x 10 CSK S/TAP SCREW | 1421 A SILVER | 1 | |
| 19 | CLOSURE WALL MOUNTS PARTS KIT | 6176 AF | 1 | |
| 20 | WALL MOUNT AND HINGE PARTS KIT | 6177 AF | 1 | |

| | | | | |
|-----|-----------------------------------|---------------|---|---------|
| 21 | RECESS ADJUSTER GASKET | 6065 CLEAR | 1 | 2012 mm |
| 22 | RECESS WALL MOUNT 15MM | 5686 A SILVER | 1 | 2013 mm |
| 23* | LH RECESS HINGE ADJUSTER | 5687 A SILVER | 1 | 2011 mm |
| 23* | RH RECESS HINGE ADJUSTER | 5688 A SILVER | 1 | 2011 mm |
| 24 | RECESS WALL HINGE UPPER AND LOWER | 6188 AF | 1 | |
| 25 | WALL HINGE PARTS KIT | 6179 AF | 1 | |
| 26 | ADJUSTMENT BLOCK | 6040 A SILVER | 2 | |
| 27 | HINGE-GLASS INTERFACE(2mm) | 6041 BLACK | 4 | |
| 28 | HINGE PLATE GASKET | 4559 AF | 2 | |
| 29 | HINGE GASKET | 4560 AF | 2 | |
| 30 | ADJUSTMENT BLOCK GASKET | 4561 AF | 2 | |
| 31 | DOOR ASSEMBLY BLOCK | 6052 WHITE | 1 | |
| 32 | DOOR ASSEMBLY SUPPORT | 6053 WHITE | 1 | |

| PARTS KIT 6177 AF | |
|------------------------------------|--|
| 4 x No.8 x 32 PAN HEAD S/TAP SCREW | |
| 4 x WALL PLUG | |
| 1 x RECESS HINGE WALL MOUNT CAP | |
| 1 x RECESS ADJUSTER CAP | |



MAINTENANCE

Matki Glass Guard Easy Clean Surface Protection (optional) and General Cleaning Guide

Cleaning Instructions

Matki Glass Guard allows water to form minute beads which easily trickle off the surface of the glass. This makes the glass easier to clean - the glass does not need to be cleaned as frequently, but it does require occasional maintenance. As less cleaning is required the use of detergents can be minimised thus helping to protect the environment. The lifespan of the Matki Glass Guard is dependant on the frequency of use of the shower and the degree of water hardness.

The combination of alkaline materials and humidity affects glass in an extremely aggressive way. Do not use bleach, alkaline, acid-based or aggressive and abrasive glass cleaners, detergents or household cleaning products on the glass or frames.

We recommend that glass is washed down with clean water and a soft clean cloth or sponge and dried off with a microfibre cloth.

The special coating is only present on the inside of the glass.

Matki Glass Guard is guaranteed for 2 years provided that the guidelines and cleaning instructions are followed.

Aluminium and Chrome parts should be cleaned with a mild non scratch household cleaner and a soft cloth or sponge.

Do not use acidic-based descaler products or products which are unsuitable for cleaning enamelled surfaces, including abrasive cleaners or cleaners containing bleach or solvents, as the products will effect the anodised framework. Under no circumstances use cleaners with a pH level exceeding 8.

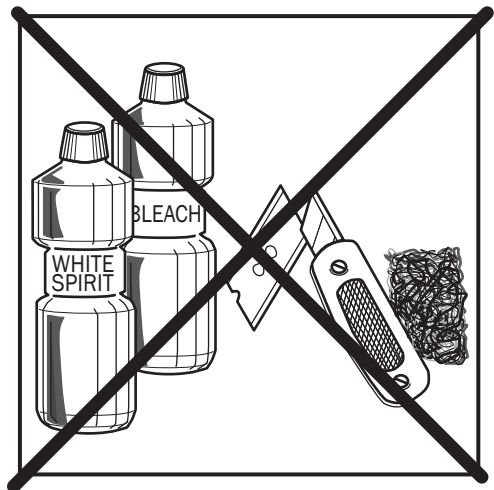
Matki does not recommend the use of 'Leave-on' shower cleaners on Matki Glass Guard Products.

Water Softeners and Glass Guard - Certain types of water softeners increase the alkalinity of the water due to a carry-over of Chloride during re-generation which can cause aggressive water spots on both untreated and Glass Guarded glass. If using a water softener we recommend a two-cylinder machine with automatic re-generation instead of a timer. If a single-cylinder water softener with timer is already installed it is recommended that after each shower excess water is removed from the glass with a squeegee or with a micro-fibre cloth.

Annual recommended maintenance - Matki recommend annually lubricating the barrel of the hinge with a lubricating spray such as WD-40 to remove dust build-up and to aid the movement of the hinge.



Wash down with clean warm water and a soft clean cloth or sponge.



Do not use bleach, alkaline or acid-based, aggressive or abrasive cleaning products.

Flash Bathroom Spray or Cif Bathroom Spray can be used on Matki Products.

Various specialist cleaning and glass dressing products are available from Ritec International Ltd Tel. 020 8344 8210 or www.ritec.co.uk.

Matki Plc is not connected with Ritec International Ltd in any way and the contact details are supplied for information only. Read manufacturers label before using any cleaning materials.

IMPORTANT

Matki Glass Guard is guaranteed for 2 years. It is essential that the cleaning instructions are followed in order to maintain the hydrophobic properties of the glass coating. In the event of the failure to comply in any way with these instructions, any warranty or guarantee will be null and void.

MATKI PLC, CHURCHWARD ROAD, YATE, BRISTOL, BS37 5PL
TELEPHONE:01454 328816 (AFTER SALES) FAX:01454 328821 EMAIL: techsupport@matki.co.uk



matki | SHOWERING

13

Matki PLC, Churchward Road, Yate,
Bristol BS37 5PL

EN 14428:2008+A1